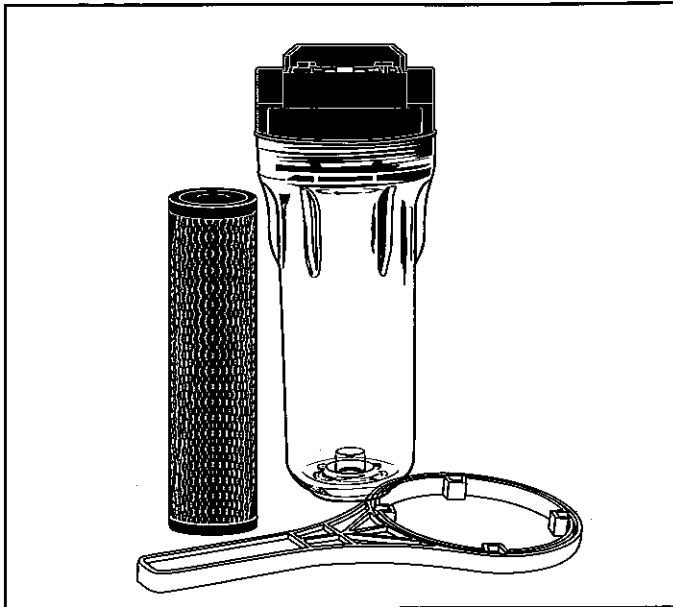


OMNIFILTER®

Safe, Clean Water™

293 Wright St. • Delavan, WI 53115
 Phone: 800.937.6664
 www.omnifilter.com



Model U25 Series E Whole House Water Filter

INSTALLATION INSTRUCTIONS

English Page 2

Modelo U25 Serie E Filtro de agua para toda la casa

INSTRUCCIONES DE INSTALACIÓN

Español Página 7

Modèle U25 Série E Filtre à eau pour toute la maison

INSTRUCTIONS D'INSTALLATION

Français Page 11

Tools Required

For Installation with Copper Pipe:

- Tubing cutter (preferred) or hacksaw to cut into pipes
- (2) 10" adjustable or 1/4" open end wrenches to tighten locknuts
- Teflon® tape without adhesive backing for sealing joints
- Pencil

Parts Included

- 3/4-inch compression fitting for installing on 3/4-inch copper piping
- Housing wrench
- TO1 Series E filter cartridge

Herramientas necesarias

Para la instalación con tuberías de cobre:

- Cortatubos (preferido) o sierra cortametales para cortar tuberías
- Llave ajustable de 10" o llave de boca de 1/4" para apretar las contratueras
- Cinta de teflon® sin respaldo adhesivo para sellar las juntas
- Lapiz

Parts Included

- Conector a compresión de 3/4 de pulgada para tuberías de cobre
- Llave para portafiltro
- Cartucho filtrante TO1 Serie E

Outils et raccords nécessaires

Pour installation sur tuyauterie en cuivre:

- Coupe-tube (préférable) ou scie à métaux pour couper les tuyaux
- 2 clés plates de 1/4 po ou clés à molette de 10 po pour serrer les écrous de blocage
- Ruban Teflon® non collant pour l'étanchéité des joints
- Crayon de bois

Pièces comprises

- Raccord à bague de 3/4 po pour installation sur tuyauterie cuivre de 3/4 po
- Clé de boîtier
- Cartouche filtrante TO1 série E

For further operating, installation, maintenance, parts or assistance:
 Call OMNIFILTER Customer Service at
 800.937.6664

Para mayor información sobre la operación, instalación o el mantenimiento:
 Llame al Servicio al Cliente de OMNIFILTER:
 800.937.6664

Pour de tout autre renseignement concernant le fonctionnement, l'installation ou l'entretien:
 Appelez le service à la clientèle en composant le : 800.937.6664

OPERATING SPECIFICATIONS

Flow Rate:	5 gpm (19 L/min)
Pressure Range:	25–125 psi (1.7–8.62 bar)
Temperature Range:	40°F–100°F (4.4°C–37.8°C)

PRECAUTIONS

Carefully read and follow instructions.

⚠ WARNING Risk of electrical shock. If your water pipes are used to ground your house's electrical system, install a No. 8 AWG (8.4mm²) jumper wire (or larger) around the filter. The jumper wire must be connected at both ends by a pressure wire fitting or other connection that satisfies NEC or CEC and local codes. Consult a building inspector or licensed electrician for more information.

⚠ WARNING Do not use with water that is microbiologically unsafe or of unknown quality without adequate disinfection before or after the system.

CAUTION Filter must be protected against freezing, which can cause cracking of the filter and water leakage.

CAUTION The rubber o-ring provides the water-tight seal between the cap and the bottom of the housing. It is important that the o-ring be properly seated in the groove above the threads of the housing or a water leak could occur.

CAUTION Because of the product's limited service life and to prevent costly repairs or possible water damage, we strongly recommend that the bottom of all plastic housings be replaced every five years for clear and every ten years for opaque. If the bottom of your housing has been in use for longer than this period, it should be replaced immediately. Date the bottom of any new or replacement housing to indicate the next recommended replacement date.

CAUTION Do not use electrical heating tape on this unit.

CAUTION Clear housings may crack or craze in time causing failure and leakage if exposed to organic solvents, such as those found in aerosol sprays for cleaning products and insecticides.

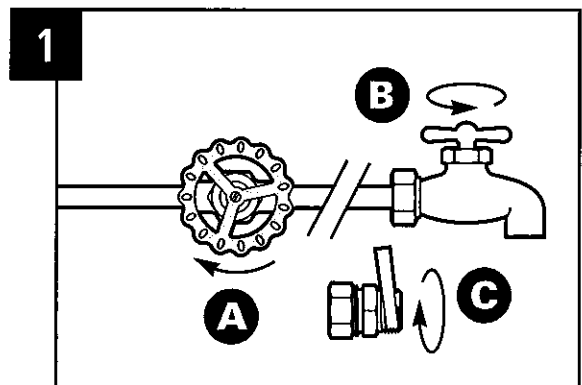
NOTES:

- For cold water use only.
- The contaminants or other substances removed or reduced by this water treatment device are not necessarily in your water. Ask your local water municipality for a copy of their water analysis, or have your water tested by a reputable water testing lab.
- Do not install where system will be exposed to direct sunlight.
- Filter cartridge life varies depending on filter type, usage, and water conditions.
- The replacement filter cartridge used with this system has a limited service life. Changes in taste, odor, or flow of the water being filtered indicate that the cartridge should be replaced.
- Use only OMNIFILTER replacement cartridges.
- This installation must comply with all applicable state and local regulations.
- Use only Teflon® tape without adhesive backing to seal joints. Do not use pipe compound (pipe dope), sticks, or similar compounds with this unit; they contain petroleum derivatives which will cause crazing and cracking of the plastic in the filter housing.
- Use only soap and water to clean filter housing and components.
- Do not use aerosol sprays (bug spray, cleaning fluids, etc.) near the filter. They contain organic solvents which will cause crazing and cracking of the plastic in the filter housing.
- After prolonged periods of non-use, such as a vacation, it is recommended that the system be flushed thoroughly. Let water run for 5–6 minutes before using.
- Do not use a torch near the unit.
- Some harmless bacteria may attack cellulose media cartridges (such as the TO1 or RS1). If your cartridge seems to disintegrate or develops a musty or moldy odor, switch to a synthetic media cartridge or consult the manufacturer.
- An activated carbon cartridge may contain a small amount of carbon fines (very fine black powder). A new cartridge, after installation, should be flushed with sufficient water to remove the fines before using the water.
- Wear safety glasses during installation.

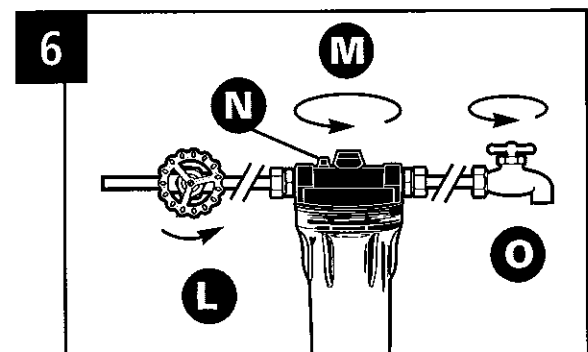
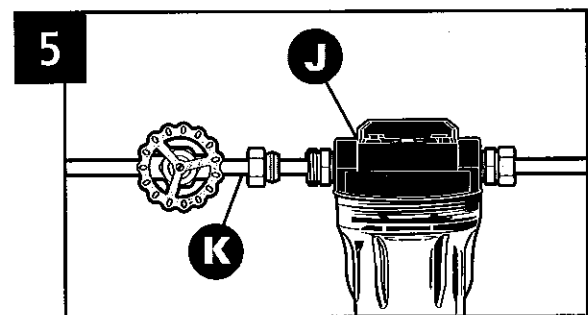
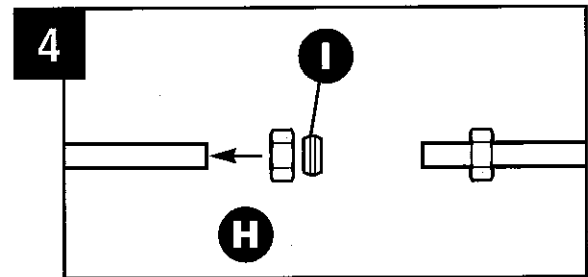
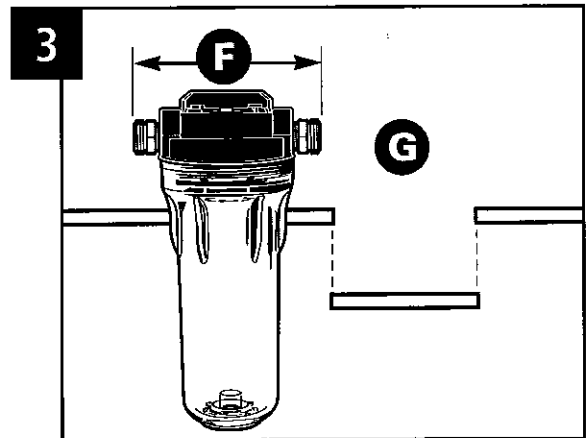
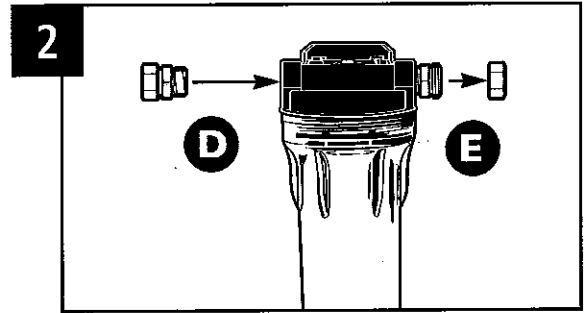
INSTALLATION INSTRUCTIONS

NOTE:

- Please read all instructions, specifications, and precautions before installing and using this filter.
 - For installation on standard 3/4-inch main water line copper.
 - Use only Teflon® tape for fitting housing connections.
 - Install filter cartridge in filter housing according to the filter cartridge replacement instructions (below) before proceeding with installation. See Filter Cartridge Selection Guide on p.5 to determine the best cartridge for your filtration needs.
 - Install filter after water meter or pressure tank.
 - Numbered diagrams correspond with numbered steps.
1. **(A)** Turn off cold water supply and open nearest faucet **(B)** to release pressure in pipes before starting installation. **(C)** Apply about 6 inches of Teflon tape in clockwise direction to pipe threads of each adapter. **NOTE:** Allow 1½-inches clearance below housing to enable filter cartridge changes.



2. **(D)** Assemble all fittings. Start adapters into cap by hand. Use a wrench to tighten firmly. **DO NOT OVER-TIGHTEN.** About one thread should remain visible. **(E)** Remove compression nuts from fittings. **NOTE:** If using mounting bracket, be sure to insert fittings through bracket before threading into filter cap.
3. Measure length across assembled fittings **(F)** and subtract 1 inch for 3/4-inch pipe, for a total subtraction of 2 inches. Mark section of pipe to be removed. **NOTE:** Approximately 6 inches will be removed for 3/4-inch pipe. Using a pipe cutter or hacksaw, cut pipe and remove marked section **(G)**. File or sand sharp edges on remaining pipe.
4. Slip brass compression nut **(H)** and brass ferrule **(I)** onto each end of 3/4-inch pipe.
5. Align filter assembly with ends of pipe, making certain cap opening marked "IN" **(J)** is facing your incoming water supply **(K)**. It will be necessary to spread ends of pipe apart to install filter assembly. Using two adjustable wrenches, hold inlet adapter securely with one wrench and tighten with second wrench. Repeat process for outlet adapter.
6. Turn on water supply **(L)**. Slowly turn handle on housing **(M)** to allow filter to fill with water, then depress red pressure-relief button **(N)** on top of cap to release trapped air. Check for leaks. Then rotate handle fully to "ON" position. **(O)** Open nearest faucet and flush cartridge for 5 minutes. **CAUTION:** If water pipes are used to ground electrical systems, appliances or phones, be certain to install a jumper wire. Contact a qualified electrician with any questions about your home's electrical system.



FILTER CARTRIDGE REPLACEMENT

The cartridge's life depends on the water volume used and the substances in the water. Normally the cartridge should be changed at intervals of 90 days or less. Replace it sooner if the water pressure at the faucet begins to drop noticeably or if you notice changes in the taste, color, or flow of the filtered water.

NOTICE: Certain types of harmless bacteria will attack cellulose material. Cartridges containing cellulose, such as TO1 and RS1 may seem to disintegrate, produce a "sewer" or "rotten egg" odor, or form a black precipitate due to bacteria. If this happens, consult OMNIFILTER Customer Service for advice.

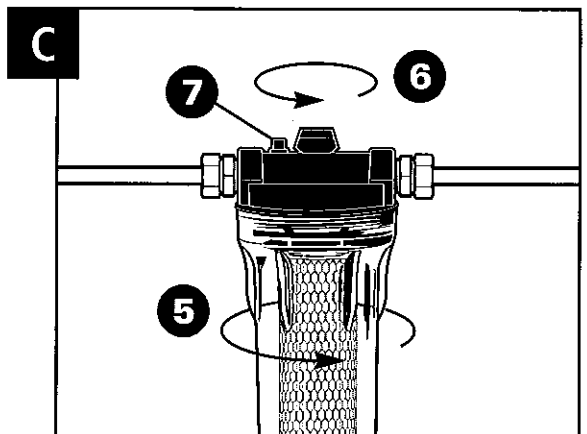
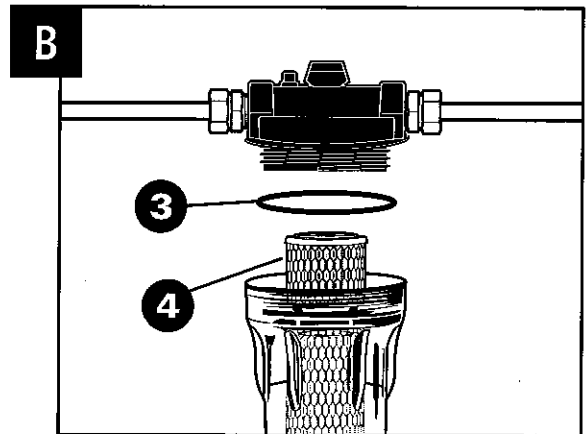
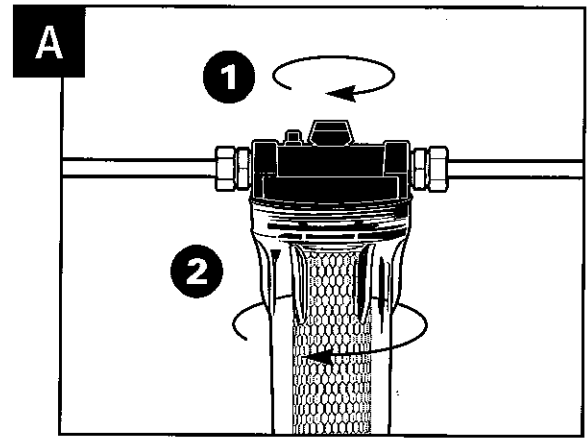
- A) (1)** Turn water off by rotating handle on top of housing in clockwise direction.

NOTE: This will shut off all water flow within the household. Be sure to fill a bucket of water first so you may clean housing after it has been removed. **(2)** Remove bottom of housing by turning clockwise.

- B)** Locate and remove large o-ring **(3)**, wipe clean of lubricant and set aside. Discard used cartridge **(4)**. Rinse out bottom of housing and fill 1/3-full with water. Add 2 tablespoons of bleach and scrub cap and bottom of housing with non-abrasive sponge or cloth. Rinse thoroughly. Lubricate o-ring **(3)** with clean silicone or plumber's grease. Insert o-ring back into groove and smooth into place with finger.

NOTE: This step is important to ensure proper housing seal. Make sure o-ring is seated level in the groove. Insert new cartridge **(4)** over standpipe in bottom of housing.

- C) (5)** Screw bottom of housing onto the cap and hand-tighten. **DO NOT OVER-TIGHTEN.** Make certain cap standpipe slips into cartridge. **(6)** Slowly turn handle on housing 1/4-turn counter-clockwise to allow filter to fill with water. **(7)** Depress red pressure-relief button to release trapped air, then rotate handle fully to "ON" position. Flush cartridge for 15 minutes before use. Check for leaks before leaving installation



TROUBLESHOOTING

Leaks . . .

between cap and bottom of filter housing:

1. Turn off water supply and press the red pressure-relief button. Remove bottom of housing.
2. Clean o-ring and o-ring groove (located directly beneath threads of housing). Lubricate o-ring with clean silicone or plumber's grease and replace securely into groove. Screw bottom of housing onto cap and hand-tighten. **DO NOT OVER-TIGHTEN.**
3. Turn on water supply. If leaks persist, or if there are other leaks on the system, turn off water supply. Call OMNIFILTER Customer Service at 800.937.6664.

on inlet/outlet connections:

1. Turn off water supply. For brass fittings, tighten nut snugly about 1/2-turn with a wrench.
2. Turn on water supply. If leaks persist, or if there are other leaks on system, turn off water supply. Call OMNIFILTER Customer Service at: 800.937.6664

OMNIFILTER REPLACEMENT CARTRIDGES

Cartridge	TO1†	RS2† / RS5	RS14†	RS1†
Media	Carbon Wrap	String Wound	Polyspun	Pleated Cellulose
Reduces Sediment	5 Micron*	5 Micron*	10 Micron*	20 Micron*
Reduces Chlorine Taste & Odor	yes	no	no	no
Filter Capacity	15,000 gal 3 months	15,000 gal 3 months	10,000 gal 2 months	15,000 gal 3 months
Recommended Flow Rate	5 gpm 19 Lpm	5 gpm 19 Lpm	5 gpm 19 Lpm	5 gpm 19 Lpm
Well Water Use	no	yes	yes	no

*Nominal: Smaller micron rating equals finer filtration.
 †Not performance Tested or Certified by NSF in these housings.

REPLACEMENT PARTS

Key	Part Number	Description
1	SH154432	Valve-in-Head Cap
2	243006	0K25 O-ring
3	153128	Clear Housing
Not Shown	150295	0W40 Housing Wrench

For replacement parts, contact your nearest OMNIFILTER retailer or call 800.937.6664.

