

AprilAire®

Air Cleaner

SPECIFICATION

Models 1110/1210/1310 1410/1910

1000 Series Air Cleaners with Clean Air MERV 11 Filters



FEATURES

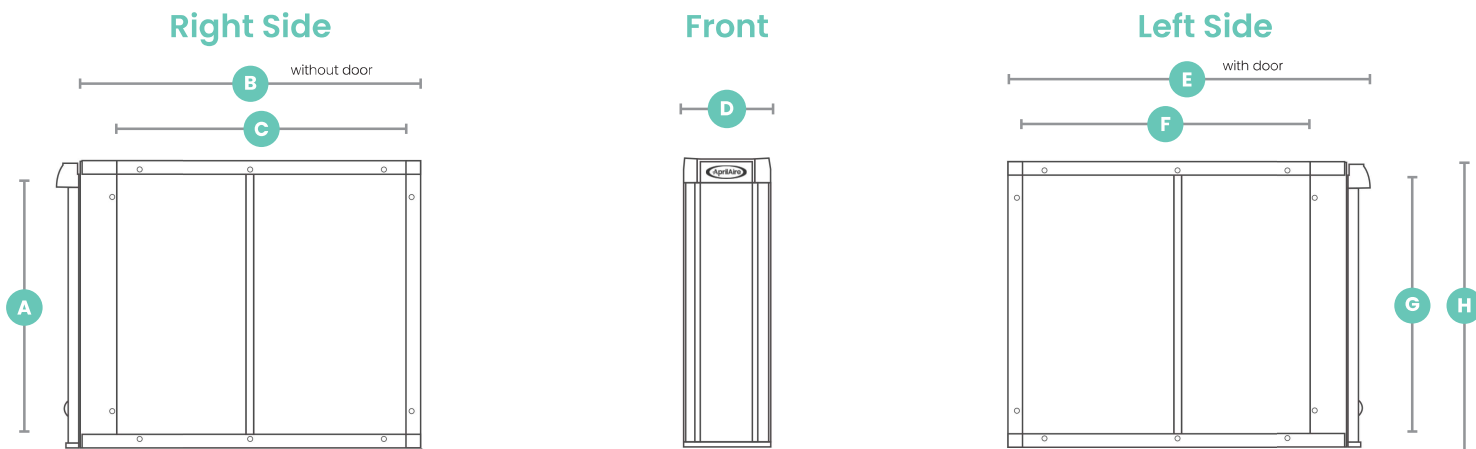
- Ships with Clean Air MERV 11 filter
- Can be upgraded to Healthy Home MERV 13 filter with simple filter change
- Minimal maintenance required — simply replace filter annually
- Made of corrosion-resistant heavy gauge galvanized steel
- Proprietary door design and Self-Seal™ filter design virtually eliminates air bypass, delivering MERV performance as rated
- UL listed air cleaners, UL classified filters
- Load rated up to 400 lbs.
- 5-year warranty on cabinet from date of installation

BENEFITS

- Offers equipment protection from dust buildup, reducing profit-robbing callbacks
- Assured system performance through low static pressure
- Superior performance over one-inch filters — next to no bypass, longer filter life, traps more particles

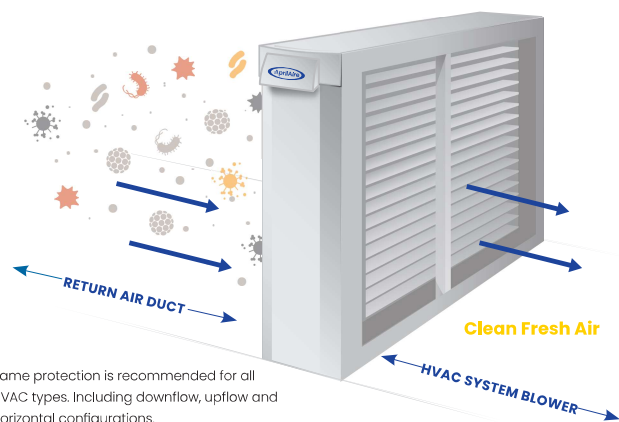
PRODUCT SPECIFICATIONS

	Nominal Size (In Inches)	Shipping Weight	MERV 11				MERV 13							
			Replacement Filter	Resistance @ Airflow Volume (inches w.c. @CFM)		Filter Carton Shipping Weight	Filtering Media Area	Replacement Filter	Resistance @ Airflow Volume (inches w.c. @CFM)		Filter Carton Shipping Weight	Filtering Media Area		
Model 1110	16 x 20	13 lbs.	Models Ships With	Model 110	.06" @600 .10" @800	.14" @1000 .20" @1200	18 lbs.	22.2 sq. ft.	Also Uses	Model 113	.11" @600 .16" @800	.22" @1000 .29" @1200	18 lbs.	22.2 sq. ft.
Model 1210	20 x 25	18 lbs.		Model 210	.04" @600 .06" @800 .08" @1000 .11" @1200	.13" @1400 .16" @1600 .19" @1800 .22" @2000	25 lbs.	28 sq. ft.		Model 213	.06" @600 .09" @800 .12" @1000 .15" @1200	.19" @1400 .23" @1600 .27" @1800 .31" @2000	25 lbs.	28 sq. ft.
Model 1310	20 x 20	15 lbs.		Model 310	.06" @600 .10" @800	.14" @1000 .19" @1200	19 lbs.	21.3 sq. ft.		Model 313	.09" @600 .13" @800	.17" @1000 .23" @1200	19 lbs.	21.3 sq. ft.
Model 1410	16 x 25	17 lbs.		Model 410	.05" @600 .07" @800 .09" @1000 .12" @1200	.15" @1400 .19" @1600 .22" @1800 .27" @2000	22 lbs.	24.5 sq. ft.		Model 413	.07" @600 .10" @800 .14" @1000 .17" @1200	.22" @1400 .26" @1600 .31" @1800 .37" @2000	22 lbs.	24.5 sq. ft.
Model 1910	25 x 20	18 lbs.		Model 910	.03" @400 .05" @600 .07" @800 .09" @1000	.12" @1200 .15" @1400 .18" @1600 .22" @1800 .27" @2000	28 lbs.	25.9 sq. ft.		Model 913	.04" @400 .07" @600 .10" @800 .13" @1000	.17" @1200 .21" @1400 .25" @1600 .30" @1800 .35" @2000	28 lbs.	25.9 sq. ft.



Dim.	Description	Model				
		1110	1210	1310	1410	1910
A	Inlet Opening Height	15 7/16" (392mm)	19 3/4" (502mm)	18 1/16" (459mm)	15 7/16" (392mm)	22 3/4" (578mm)
B	Outer Housing Depth without Door	20 1/16" (510mm)	25 3/8" (645mm)	20 1/16" (510mm)	28 1/16" (713mm)	20 1/16" (510mm)
C	Inlet Opening Width	17 3/8" (441mm)	21 3/16" (538mm)	15 7/8" (403mm)	23 7/8" (606mm)	15 7/8" (403mm)
D	Unit Width	6 3/4" (171mm)	6 3/4" (171mm)	6 3/4" (171mm)	6 3/4" (171mm)	6 3/4" (171mm)
E	Outer Housing Depth with Door	22 1/16" (560mm)	27 3/8" (695mm)	22 1/16" (560mm)	30 1/16" (764mm)	22 1/16" (560mm)
F	Outlet Opening Width	17 3/8" (441mm)	21 3/16" (538mm)	15 7/8" (403mm)	23 7/8" (606mm)	15 7/8" (403mm)
G	Outlet Opening Height	15 7/16" (392mm)	19 3/4" (502mm)	18 1/16" (459mm)	15 7/16" (392mm)	22 3/4" (578mm)
H	Unit Height	17 3/4" (451mm)	22 1/16" (560mm)	20 3/8" (518mm)	17 3/4" (451mm)	25 1/16" (637mm)

REPLACEMENT FILTER



Some protection is recommended for all HVAC types. Including downflow, upflow and horizontal configurations.

Ships With	AprilAire Air Filter Healthy Air 11 <small>Removes Most Common Allergens</small>			
		Model 1110		Filter Model 110
		Model 1210		Filter Model 210
		Model 1310		Filter Model 310
		Model 1410		Filter Model 410
		Model 1910		Filter Model 910

Also Uses	AprilAire Air Filter Healthy Air 13 <small>Removes Most Common Allergens</small>			
		Model 1110		Filter Model 113
		Model 1210		Filter Model 213
		Model 1310		Filter Model 313
		Model 1410		Filter Model 413
		Model 1910		Filter Model 913

REMOVAL EFFICIENCY (Based on Particle Size)			
	0.3-1.0 Microns	1.0-3.0 Microns	3.0-10 Microns
MERV 13	63%	88%	93%
MERV 11	37%	67%	92%