

# Air Bear<sup>®</sup> Right Angle

## Media Whole-House Air Cleaners



### **PERFORMANCE:**

Rated air flow of up to 2000 cfm

Non-woven, 5-inch thick, pleated Air Bear media filter traps particles as small as one micron

Tested using ANSI/ASHRAE 52.2-2007 standard procedures

Efficiency rating of MERV 8 or MERV 11

### **FEATURES:**

Quick and easy installation

Air Bear filters capture and hold pollutants inside the filter, allowing air to flow freely through the system

Highly-efficient, 100% electrostatically-charged synthetic material. Features extended surface pleats that have a higher dirt-holding capacity than competitive filters.

Built-in ductwork for installations that require a 90° duct adapter

Mounts directly to heating and cooling systems

Suitable for use with all types of central forced-air configurations

Space-saving design is ideal for basement applications

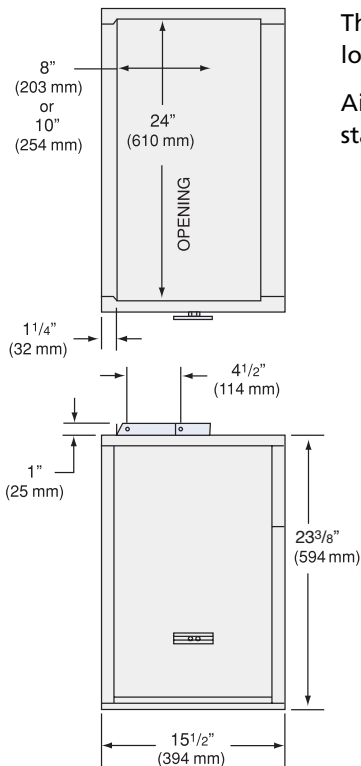
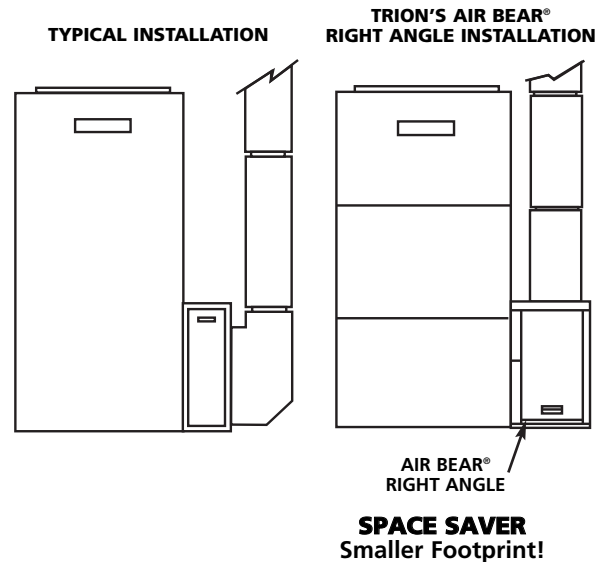
Rugged cabinet construction for long life

### **WARRANTY:**

10-year limited warranty on cabinet

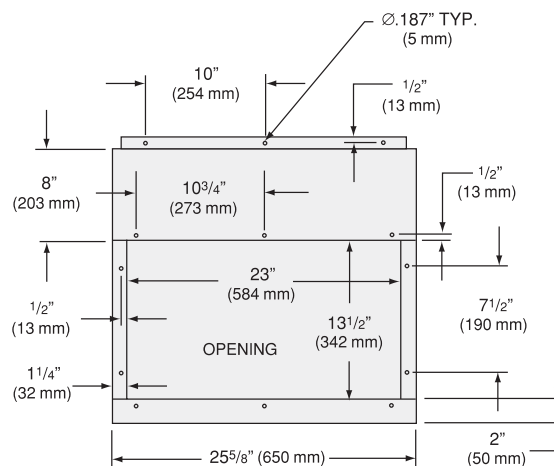
# Air Bear® Right Angle

MODEL	AIR BEAR® RIGHT ANGLE	
PART NO.	447380-002	459202-001
RATED AIR FLOW	2000 cfm (3398 m <sup>3</sup> /hr)	2000 cfm (3398 m <sup>3</sup> /hr)
MERV RATING	8	11
OUTSIDE DIMENSIONS inches (mm)	25 <sup>5</sup> / <sub>8</sub> D x 24 <sup>3</sup> / <sub>8</sub> H x 15 <sup>1</sup> / <sub>2</sub> W (650 x 619 x 394)	25 <sup>5</sup> / <sub>8</sub> D x 24 <sup>3</sup> / <sub>8</sub> H x 15 <sup>1</sup> / <sub>2</sub> W (650 x 619 x 394)
ADJUSTABLE DUCT OPENING – inches (mm)	24 x 8 (610 x 203) or 24 x 10 (610 x 254)	24 x 8 (610 x 203) or 24 x 10 (610 x 254)
FURNACE OPENING	23 x 13 <sup>1</sup> / <sub>2</sub> (584 x 342)	23 x 13 <sup>1</sup> / <sub>2</sub> (584 x 342)
MEDIA SIZE inches (mm)	5 D x 20 H x 24 <sup>1</sup> / <sub>2</sub> W (127 x 508 x 622)	5 D x 20 H x 24 <sup>1</sup> / <sub>2</sub> W (127 x 508 x 622)
MEDIA PART NO. (3 pack)	255649-102	259112-102
MEDIA TYPE	100% synthetic disposable/ factory assembled	100% synthetic disposable/ factory assembled
MEDIA LISTING	UL classified (see complete marking on product)	UL classified (see complete marking on product)
CABINET FINISH	Powder-coated paint finish	Powder-coated paint finish
SHIPPING WT – lbs. (kg)	35 (15.8)	35 (15.8)
UNIVERSAL APPLICATION	Right/left hand installation	Right/left hand installation



The Air Bear® Right Angle features the excellent qualities of the Air Bear® family including low resistance for HVAC systems, quick and easy installation, and a Trion-backed warranty.

Air Bear® Air Cleaners have been tested using ANSI / ASHRAE 52.2-2007 standard test procedures.



Trion, Inc.  
101 McNeill Road  
Sanford, NC 27330  
Phone: 800 884-0002 Fax: 800-458-2379  
Website: www.trioninc.com  
Email: sales@trioninc.com  
Form No. T-ABRA-1107



All product specifications reflect available information at the printing of this brochure. Trion reserves the right to revise or modify products and/or specifications without notice. ©2007 Trion, Inc. Trion and Air Bear are registered trademarks of Trion, Inc.

TR-011-1107

**TRION®**