

Specification Sheet



Model
865

Ductless Steam Humidification Package



Specifications

Unit dimensions	10 1/8" W x 20 7/8" H x 7 1/8" D
Weight – unit only/ operating weight	23 lbs. 27 lbs.
Drain water temperature	Drain water not to exceed 140°F. Tempered with cold fill water.
Installation accessories included	6 ft. commercial grade steam hose, 10 ft. drain hose, clamps/hardware
Supply water conductivity	125 to 1250 µS/cm
Supply water pressure range	25 to 120 psi
Supply/Drain connection	Supply: 1/4" copper compression fitting Drain: 7/8" for flex hose
Electrical characteristics	Voltage: 120, 208, or 240 VAC Amp Draw: 11.5 or 16 amps
Fan pack	Wall-mounted discharge grill with integrated 24 VAC fan blower assembly and stainless steel dispersion chamber

Features

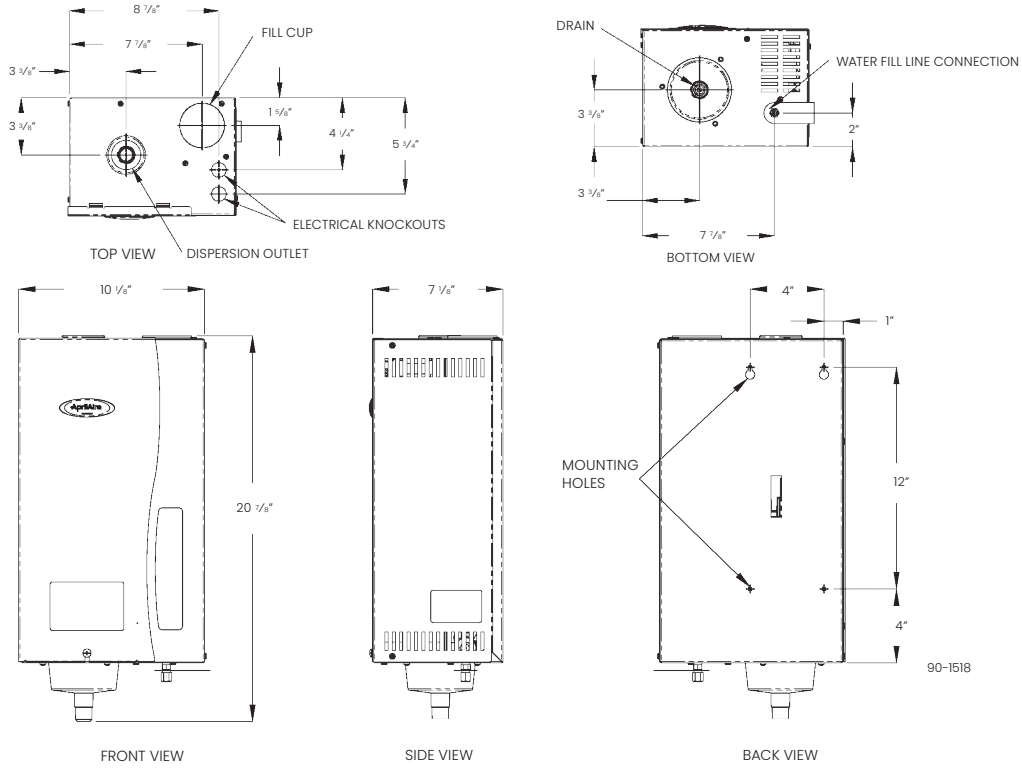
- **No duct work needed** – The AprilAire 800 Steam Humidifier and Fan Pack combine to provide comfortable humidity levels in homes without duct work
- **Modulating input signal** – The Model 801 accepts an input signal of modulating 0–10 Vdc or 0–20mA, and modulating 2–10 Vdc or 4–20mA.
- **All components included** – Includes Model 800 Steam Humidifier, Fan Pack, Model 65 Digital Humidistat, and Model 4028 (drain trap assembly, steam hose, and drain tube)
- **High capacity** – One unit can provide between 11.5 and 34.6 gallons per day depending on installation application
- **Low profile fan** – Fan pack is recessed into a wall and connects directly to the Model 800 Steam Humidifier
- **Easy to maintain** – Canister does not require cleaning or scrubbing— simply replace it annually and replace the electrode wires every three years
- **Whisper soft** – Quiet operation makes the fan pack practically unnoticeable
- **Automatic drain and fill cycle** – Unit flushes and fills periodically to maintain the proper conductivity
- **End-of-Season drain** – After 72 hours without a humidity call, unit automatically drains and enters standby mode
- **Drain water tempering** – Unit uses cold inlet water to temper canister drain water, protecting PVC piping and condensation pumps

Principle of Operation

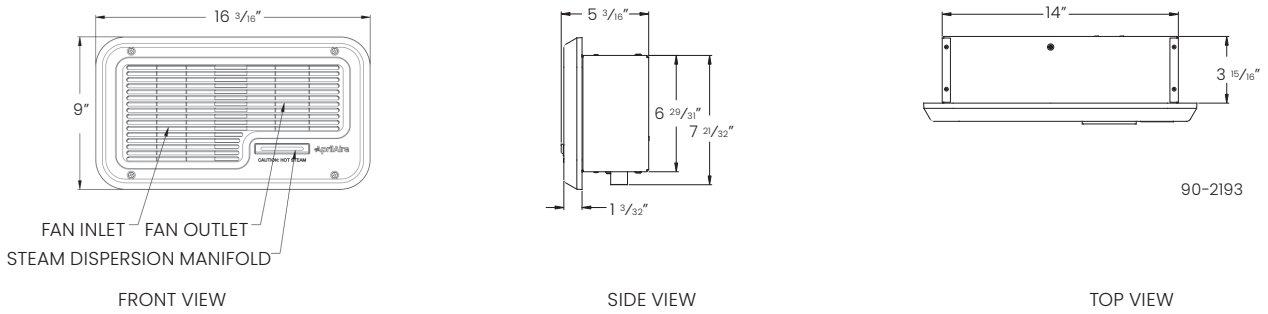
The AprilAire Steam Humidifier delivers humidity directly to the home through the use of the included fan pack. The humidifier operates utilizing electrode technology: current flowing between two electrodes in the disposable steam canister boils water to generate steam. Drain and fill valves in the humidifier work together to maintain the correct water level in the canister to satisfy the demand for humidity based on the electrical conductivity of the water.

Steam Capacity Gallons/Day	Voltage	Hertz	Current Draw	
			Amps	kW
11.5	120V	60 Hz	11.5	1.4
16.0			16.0	1.9
20.5	208V	60 Hz	11.5	2.4
30.0			16.0	3.3
23.3	240V	60 Hz	11.5	2.8
34.6			16.0	3.8

Dimensional Information



Fan Pack Dimensional Information



Accessories



Model 65 Manual Digital Humidifier Control

Dedicated monitoring and control of the humidifier from the living space.

Model 65 Specifications

Input voltage and current	Voltage: 24 VAC (supplied by humidifier control board)
Control range	10%-50% RH
Accuracy	±5%
Differential	3%
Operating ranges	40°F-99°F 5%-90% RH (non-condensing)