

THE ONE IAQ SOLUTION FOR YOUR HOME!

The APCO-ONE® system is designed to improve air quality and HVAC equipment performance and efficiency. Everything you expect from APCO®, now with a polycarbonate housing and lamp status indicator. 24V with included 120V transformer.



FEATURES/BENEFITS

| | |
|--|--|
| Continuously improves Indoor Air Quality | Continuously treats the air in the entire home and is virtually maintenance free (2-year UVC lamp replacement only) |
| Keeps coil & drain pan clean | Long lasting, safe and effective |
| Increases HVAC life & efficiency | For up-flow, down-flow & horizontal installations |
| UL2998 validated for zero ozone | Scientifically tested ensuring safety |
| Continuously treats the whole-system | Disinfects HVAC equipment (which is prone to mold and biofilm). Microbial contamination robs system efficiency and performance and contributes to poor IAQ |
| Advanced UVC lamp | 2-year advanced quartz UVC lamp |
| LED Lamp-life status indicator | Indicates when to replace lamp |
| EverCarbon™ Cells | Lifetime proprietary carbon catalyst |
| 24VAC operation | Packard transformer included |

LED STATUS INDICATOR



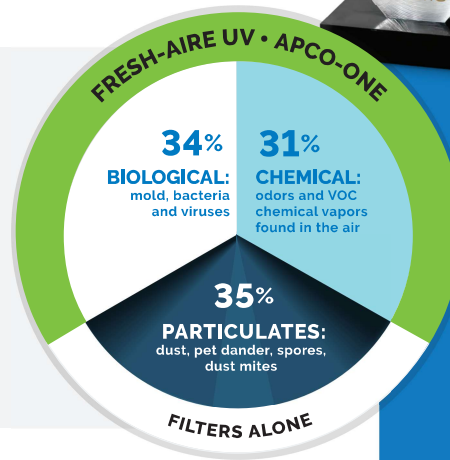
APCO-ONE WINS IAQ GOLD!



APCO-ONE® isn't just catching the eyes of technicians and homeowners, the judges of the 2024 Dealer Design Awards IAQ category have taken notice and awarded it the gold medal for best product!

SAFELY AND EFFECTIVELY TREAT THE OTHER 2/3RDS

Conventional filters are only effective against particulates, like dust. APCO-ONE is proven to safely reduce both biological and chemical contaminants inside the air system and throughout the building. Together, they address 99+% of the contaminants in the air.

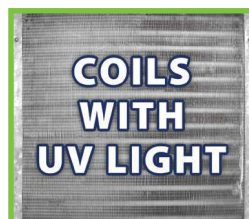
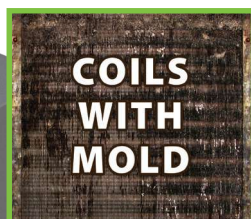


CLEAN AIR



CLEANS THE COIL AND DRAIN PAN

Helps keep the HVAC system running efficiently and extend its life.



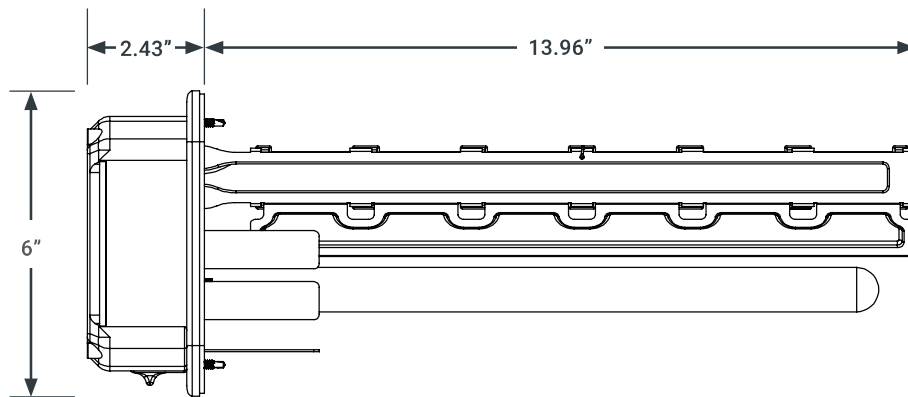
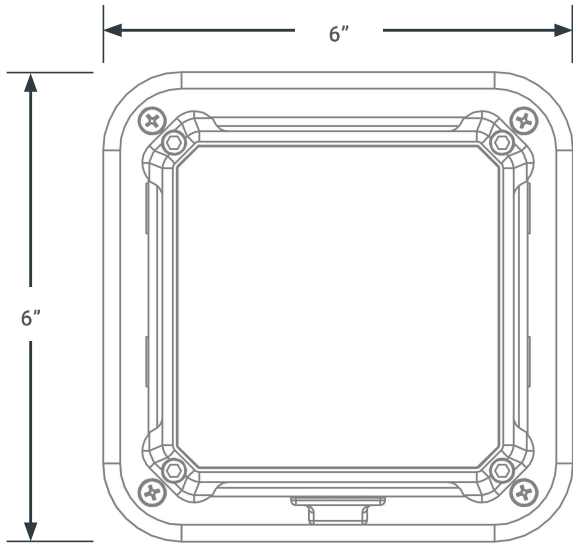
APCO-ONE Helps Neutralize Mold, Bacteria, Viruses, and Allergens

| APCO-ONE Specs | |
|----------------|--|
| UV Lamp | 254 nm UVC, quartz hot filament |
| Dimensions | Cell & Lamp: 3.3"W x 3.3"H x 14"D Enclosure: 6"L x 6"W x 2.43"D |
| Electrical | TUV-APCO-ONE: 24V, 0.80A, 19.2 WATTS |
| Transformer | Packard Transformer 120/208/240VAC Primary to 24VAC 40VA Secondary. For further instructions refer to transformer instruction sheet. |
| Pressure Drop | <0.01" w.c. @ 400 FPM |
| Warranty | Lifetime for all parts except lamp |

| Part Numbers | | |
|--------------|------------|------------------|
| Model | Electrical | Replacement Lamp |
| TUV-APCO-ONE | 18-32 VAC | TUVL-215 |



APCO-ONE
Furnace
application



We are committed to developing and validating our products. APCO product testing achieved incredible results:

| | | | |
|--|--|--|--|
| | | | |
|--|--|--|--|

* % Reduction of common indoor air contaminants over 4 hours. Tested at airflow velocity of 492-fpm (0.93m3/sec)



DESIGNED & ASSEMBLED IN THE U.S.A.