



IAQ Product Bulletin Lennox Industries Health Climate Solutions IAQ

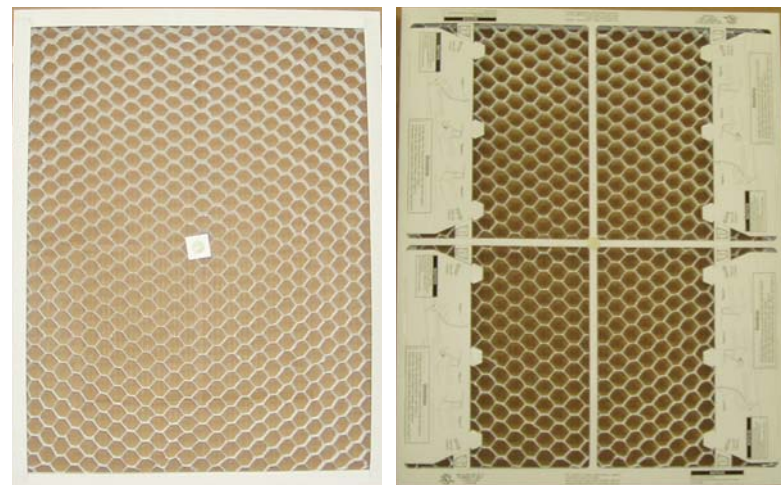
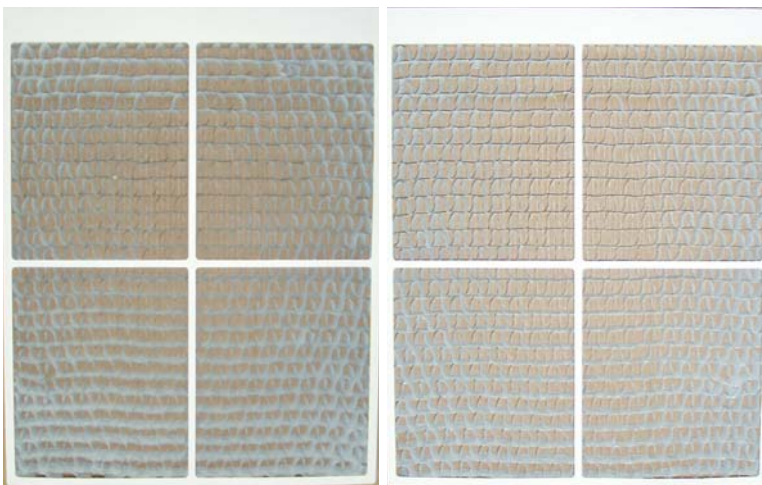
Date: July 22nd, 2009
Subject: Manufacturing Change
PureAir Metal Insert
Contact: Victor Gonzalez-Maertens,
Sr. Product Manager



The PCO metal insert for the PureAir PCO-20C and PCO-12C (1st Generation) is changing to the new honeycomb design introduced with the PCO20-28 / 16-28 / 14-23 (2nd Generation) last year. Below are photos of the current insert design (left) and the new "honeycomb" design (right).

Current Design

New Honeycomb Design



Upstream

Downstream

Upstream

Downstream

Side View



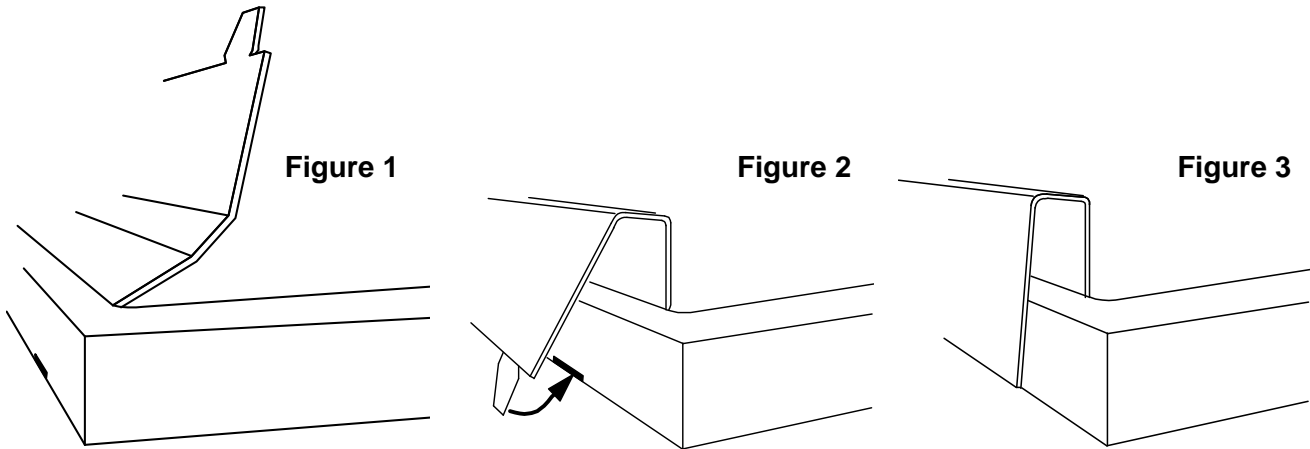
The metal insert will be transitioning from multiple flat and corrugated foil fins to an expanded honeycomb surface. The new design is more compact. The side view shows the move from a 2" to 1" deep frame when shipped. This manufacturing change provides a more robust insert while product performance and maintenance cycle (2 years) remain unchanged.



The narrower 1" frame is converted to a 2" frame by folding and fastening the four flaps built into the frame without any tools in very little time. The following directions and figures are found on each flap and outline how the flap is folded back and the tabs are inserted back into the frame.

Directions

1. Lift flap away from frame to break free from tear-off coupons.
2. Fold back flap along perforations, see Figure 1.
3. Insert tabs into slits marked on frame, see Figure 2.
4. Press tabs completely into frame until flap is flush, see Figure 3.



This will be a running change, unit part numbers and replacement part numbers remain the same. ***This change was implemented in July and should be visible in the field over the next few weeks.***

***** Important Reminder—Recommended Maintenance Schedules *****

To ensure performance of the PureAir™ Air Purification System, the filter, UV lamps and PCO metal insert must be changed-out according to recommended maintenance schedules:

PCO-12C / 20C (1st Generation): Filter changed **annually**, UV lamps and PCO metal inserts changed every **two years**. Contact Lennox Parts & Supplies for available Maintenance Kits with inserts (MERV 16: X8345 & X8347; MERV 10: X8348 & X8349).

PCO20-28 / 16-28 / 14-23 (2nd Generation): Filter, UV lamps, and PCO metal insert changed **annually**. Note: UV lamps will not necessarily burn-out after 1 year, but they **will lose effectiveness** (reason why we recommend annual change-out).

Make sure you are NOT ONLY changing the MERV 16 filters, but all scheduled components. With our competitively priced Maintenance Kits (Part #'s X8795, X8796 and X8797) this should be a snap! Make sure you are safeguarding the PureAir performance and capturing the value of this recurring revenue stream!