

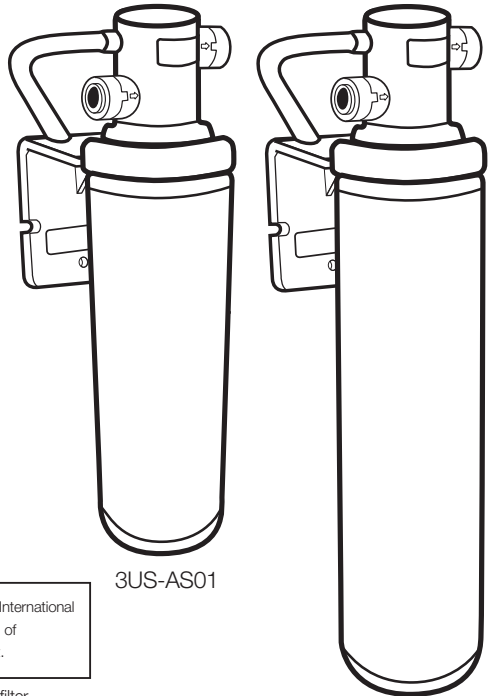
Filtrete™

Use & Care Guide for

Filtrete™ Standard, Advanced and Maximum Under Sink Water Filtration Systems

3US-AS01, 3US-PS01 and 3US-MAX-S01

Homeowner: Please retain for operational and future maintenance instructions.



3US-AS01

NSF

3US-AS01 System tested and Certified by NSF International against NSF/ANSI Standard 42 for the reduction of claims specified on the Performance Data Sheet.

This is a chemical and mechanical reduction filter.

3US-AS01

3US-PS01

NSF

3US-PS01 System tested and Certified by NSF International against NSF/ANSI Standard 42 and 53 for the reduction of claims specified on the Performance Data Sheet.

This is a chemical and mechanical reduction filter.

3US-PS01
3US-MAX-S01

3US-MAX-S01

NSF

3US-MAX-S01 System tested and Certified by NSF International against NSF/ANSI Standard 42 and 53 for the reduction of claims specified on the Performance Data Sheet.

This is a chemical and mechanical reduction filter.

SAFETY INFORMATION

Read, understand, and follow all safety information contained in these instructions prior to installation and use of the Filtrete™ Standard , Advanced and Maximum Under Sink Water Filtration Systems. Retain these instructions for future reference.

Intended use:

The Filtrete™ Standard, Advanced and Maximum Under Sink Water Filtration Systems (3US-AS01, 3US-PS01, and 3US-MAX-S01) are intended for use in filtering potable water and have not been evaluated for other uses. The product is installed at the point of use and must be installed as specified in the installation instruction by a qualified professional.

EXPLANATION OF SIGNAL WORD CONSEQUENCES

⚠ WARNING

Indicates a potentially hazardous situation, which, if not avoided, could result in death or serious injury and/or property damage.

NOTICE

Indicates a potentially hazardous situation, which, if not avoided, may result in property damage.

⚠ WARNING

Read entire Use & Care Guide. Failure to follow all guides and rules could cause personal injury or property damage.

- Check with your local public works department for plumbing codes. You must follow their guidelines as you install the water filtration system.
- Your water filtration system will withstand up to 125 pounds per square inch (psi) water pressure. If your house water supply pressure is higher than 80 psi, install a pressure reducing valve before installing the water filtration system.

To reduce the risk associated with choking:

- DO NOT allow children under 3 years of age to have access to small parts during the installation of this product.

To reduce the risk associated with the ingestion of contaminant:

- DO NOT use with water that is microbiologically unsafe or of unknown quality without adequate disinfection before or after the system.

To reduce the risk associated with hazardous voltage due to an installer drilling through existing electric wiring or water pipes in the area of installation:

- DO NOT install near electric wiring or piping which may be in path of a drilling tool when selecting the position to mount the filter bracket.

NOTICE

To reduce the risk associated with property damage due to water leakage or flooding:

- Read and follow Use & Care Guide before installation and use of this system.
- Change the disposable filter cartridge at the recommended interval; the disposable filter cartridge MUST be replaced every 6 months or sooner.
- Failure to replace the disposable filter cartridge at recommended intervals may lead to reduced filter performance and failure of the filter, causing property damage from water leakage or flooding.
- Installation and use MUST comply with all state and local plumbing codes.
- Protect from freezing, remove filter cartridge when temperatures are expected to drop below 33°F (4.4°C).
- DO NOT install systems in areas where ambient temperatures may go above 110°F (43.3°C).
- DO NOT install on hot water supply lines. The maximum operating water temperature of this filter system is 100°F (37.8°C).
- DO NOT install if water pressure exceeds 125 psi (862 kPa). If your water pressure exceeds 80 psi (552 kPa), you must install a pressure limiting valve. Contact plumbing professional if you are uncertain how to check your water pressure.
- DO NOT install where water hammer conditions may occur. If water hammer conditions exist you must install a water hammer arrester. Contact a plumbing professional if you are uncertain how to check for this condition.
- Where a backflow prevention device is installed on a water system, a device for controlling pressure due to thermal expansion MUST be installed. Contact a plumbing professional if you are uncertain how to select/install/maintain a thermal expansion device.

- Where a booster pump is installed on a water system, you MUST maintain and inspect the attached pressure switch regularly in accordance with the booster pump manufacturer's instructions. Contact a plumbing professional if you are uncertain how to maintain your booster pump system.
- Where a booster pump is installed on a water system, you MUST install an appropriate pressure relief valve. Pressure relief valve must be maintained and inspected every 6 months. Contact a plumbing professional if you are uncertain how select/install/maintain a pressure relief valve.
- Where a booster pump is installed on a water system, you MUST install an appropriate pressure regulating valve and regulate water pressure to <80psi. Contact a plumbing professional if you are uncertain how select/ install/maintain a pressure regulating valve.
- DO NOT install in direct sunlight or outdoors.
- DO NOT install near water pipes which will be in path of a drilling tool when selecting the position to mount the bracket.
- Mount filter in such a position as to prevent it from being struck by other items used in the area of installation.
- Ensure that the location and fasteners will support the weight of the system when installed and full of water.
- Ensure all tubing and fittings are secure and free of leaks.
- DO NOT install unit if collet is missing. Contact 3M if collets are missing from any fittings.
- Use compatible flexible tubing with "push-in connections" (such as PEX tubing, PE tubing, PP tubing)
- DO NOT install with rigid piping (such as copper, aluminum, stainless steel, chrome plated, or anodized tubing).

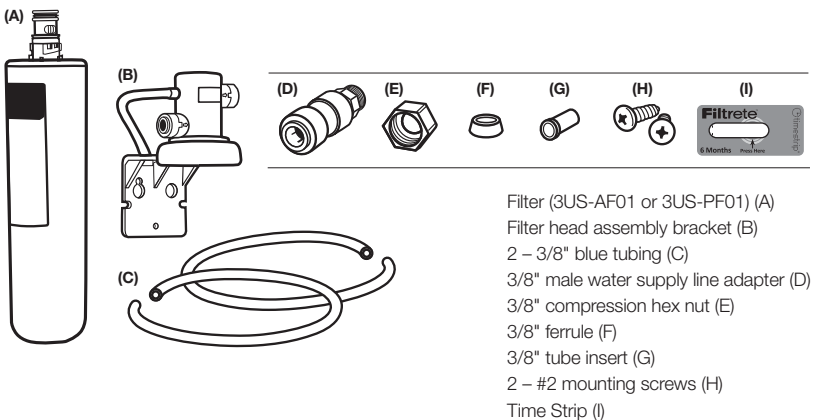
To reduce the risk of water leakage or flooding, and to ensure optimal filter performance:

- Change the disposable filter cartridge every six months or sooner if you observe a noticeable reduction in water flow rate.

IMPORTANT NOTES

- Failure to follow instructions will void warranty.
- Allow a minimum of 2 1/2" clear space under filter to facilitate cartridge change.
- Install with the inlet and outlet ports as labeled. Make sure not to reverse connections.

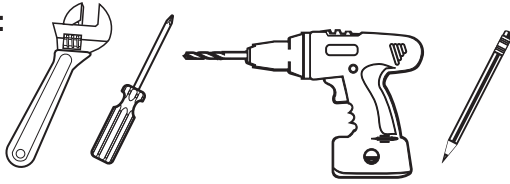
PARTS AND MATERIALS: (included)



NOTE: White tube on filter head assembly bracket (B) is a pressure relief outlet. Water will NOT flow out of this tube.

TOOLS REQUIRED: (Not included)

Adjustable wrench
#2 Phillips head screwdriver
Drill
Pencil

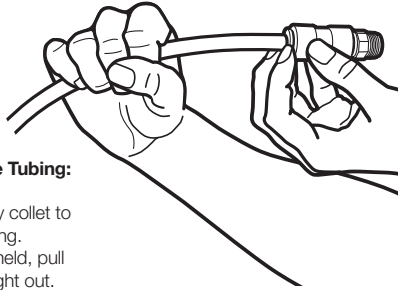


BEFORE YOU BEGIN:

Remove items stored under the sink.
Have a towel and bowl available in case dripping occurs.

This system uses push-in fittings:

This easy-to-install system uses watertight, push-in fittings.



To Attach Tubing: (Fig. 1)

Push tubing in as far as it will go. Tubing must be inserted past o-ring and hit backstop. Pull tube to ensure it is secure.

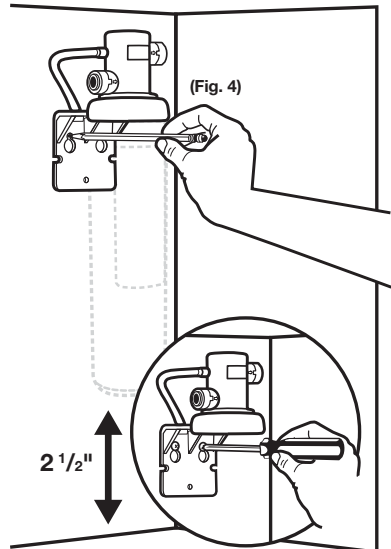
To Release Tubing: (Fig. 2)

Push in grey collet to release tubing. With collet held, pull tubing straight out.

MOUNTING THE FILTER HEAD ASSEMBLY BRACKET:

You will need: Phillips screwdriver, drill, pencil, filter head assembly bracket (B), #2 mounting screws (H)

1. Choose a location to mount filter head assembly bracket (B). Keep in mind: Bracket should be in a location that offers easy access for changing filters. Leave 2 1/2" of clearance below the installed filter cartridge. (See Fig. 3)
2. Using the bracket (B) as a guide, mark the location of the two screw holes on the wall with a pencil. (Fig. 4)
3. Fasten the bracket to the wall using a Phillips screwdriver and the two mounting screws included (H). (If preferred, use a drill with a 3/16" size drill bit to make pilot holes for the screws.) (Fig. 5)
4. Check to assure mounting bracket is firmly installed.

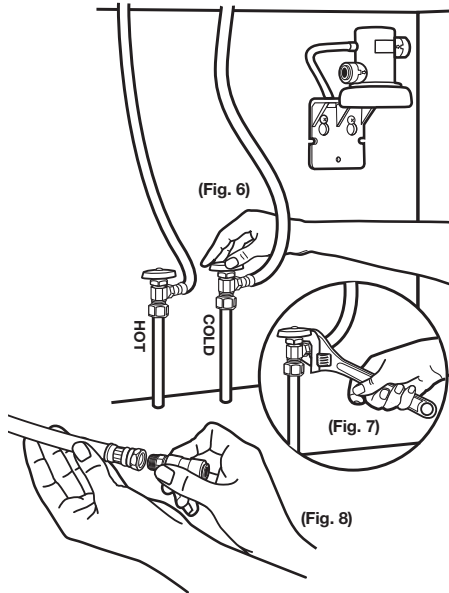


ATTACH WATER SUPPLY LINE ADAPTER:

You will need: Adjustable wrench (Note: Two wrenches may be needed to adequately tighten fittings when connecting the adapter to the supply line), male water supply line adapter (D)

1. Turn off the cold water supply at the shutoff valve under the sink. (Fig. 6)
2. Disconnect the cold water faucet hose from the shutoff valve below using a wrench. Leave the hose attached to the faucet above. (Fig. 7)
3. Install the male water supply line adapter (D) placing the faucet side onto the end of the faucet hose. Note: Fitting has a faucet side and a push-in side. (Fig. 8)

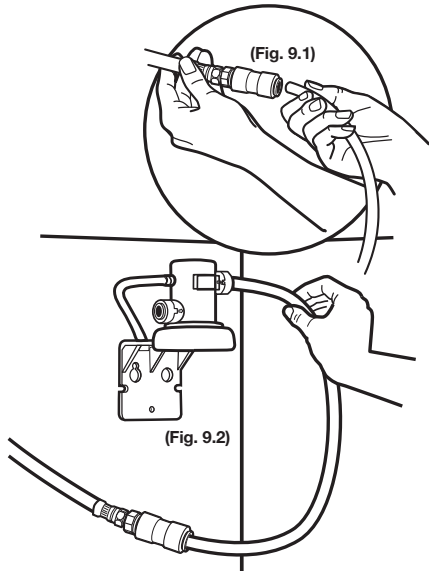
Note: If the water supply line adapter (D) does NOT fit properly onto the end of your faucet hose, visit your local hardware store to purchase the correct size.



ATTACH WATER INPUT SUPPLY HOSE:

You will need: 1 length of 3/8" blue tubing (C).

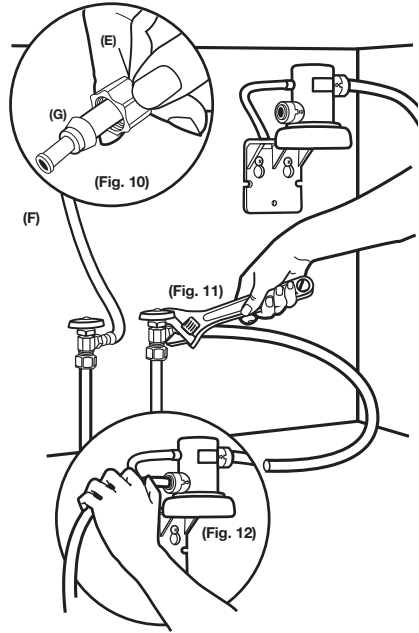
1. Insert one end of one of the lengths of 3/8" blue tubing (C) into the push-in fitting side of the male water supply line adapter (D) you just installed. Push the tubing in firmly as far as it will go to assure a watertight fit. (Fig. 9.1) **Warning: Water may leak if the tube is not pushed in completely. (See "push-in fittings" explanation on Pg. 4.)**
2. Take the other end of the same 3/8" blue tubing (C) and insert into the right (output) side of the mounting bracket (B). Arrows on the bracket will be pointing away from or out of the bracket. (Fig. 9.2)



ASSEMBLE COMPRESSION KIT/ATTACH WATER OUTPUT SUPPLY HOSE:

NOTICE: DO NOT install on hot water supply lines. The maximum operating water temperature of this filter system is 100°F (37.8°C). You will need: adjustable wrench, compression hex nut (E), 3/8" ferrule (G), 3/8" tube insert (F), 1 length of 3/8" blue tubing (C).

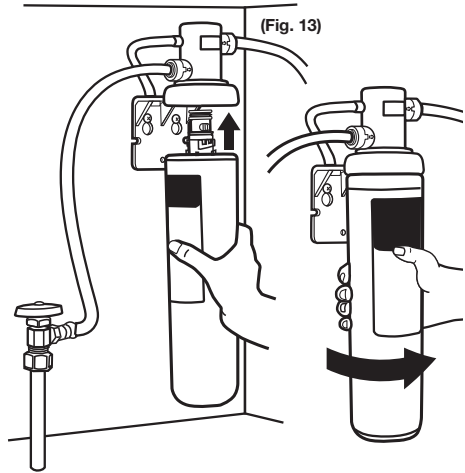
1. Assemble the compression kit. (Fig. 10)
Place the compression hex nut (E) (thread side facing down) and the 3/8" ferrule (G) (tapered end down) onto the second length of blue tubing (C). Insert 3/8" tube insert (F) into the end of the blue tubing (C).
2. Tighten with a wrench to firmly attach compression kit to the 3/8" cold water supply shutoff valve. (Fig. 11) Pull on blue tubing to assure a tight fit is achieved.
3. Push the other end of the same blue tubing (C) into the left (input) side of the bracket (B). Arrows on the bracket will be pointing towards or into the bracket. (Fig. 12)



ATTACH THE FILTER:

You will need: filter cartridge (A)

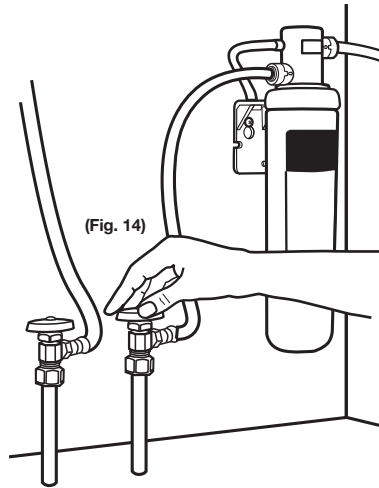
1. Insert the filter cartridge (A) into the bracket (B).
2. Push filter up, then turn one quarter of a turn to the right until it stops. (Fig. 13)
3. When properly attached, there will be NO gap between the bracket (B) and the filter cartridge (A).



TURN WATER ON:

1. Turn the water back on at the cold water shutoff valve. (Fig. 14)
2. Run water to flush 10 gallons (37.85 liters) through the system before use.
3. Check for leaks. If any dripping or leaking occurs, turn cold water supply off, tighten fittings and assure that tubing is pushed completely into fittings.

YOUR SYSTEM IS NOW READY FOR USE.



FILTER CARTRIDGE REPLACEMENT INSTRUCTIONS:

NOTICE: To reduce the risk associated with property damage due to water leakage or flooding, change disposable filter every six months or sooner.

NOTE: You do NOT need to shut off your water supply when changing your filter cartridge. The system will automatically shut off the water supply while filter is being changed.

REPLACING FILTER

1. Grasp cartridge and turn to the left briskly until cartridge will not turn any further. (Turn quickly to avoid pressure release that may result in leaks.)
2. Gently pull cartridge downward to remove.
3. Align tabs of new filter cartridge with mounting bracket and insert new filter cartridge into the bracket. (Fig. 15) Turn cartridge to the right until cartridge stops.
4. Run water to flush 10 gallons (37.85 liters) through the system before use. (Approximately 5-7 minutes.)

TROUBLESHOOTING GUIDE

Water Leaks at Push-In Connections:

Push tubing in as far as it will go. If leaking continues, shut off water at the shut off valve and remove water line by pushing in on the connector collar while pulling the tubing away. Inspect tubing for cracks and scratches. If tubing is cracked or scratched, simply cut that portion away and reinsert tubing into push-in fitting.

Water Does Not Flow from the Drinking Water System Faucet:

Check to see if the main water line valve is open, allowing water to flow to the filter.

Water Appears Cloudy or Air Comes Out of the Drinking Water System Faucet:

Flush filter for a full five (5) minutes to remove any carbon fines or trapped air in the filter and water lines.

For more information or questions

Call 800-388-3458

Activate Filter Change Indicator



WARNING

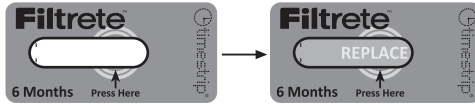
To reduce the risk associated with choking, do not allow children under 3 years of age access to the filter change indicator.

NOTICE

To reduce the risk of property damage, do not puncture filter change indicator bubble. The non-toxic fluid may stain certain materials.

1. Press filter change indicator bubble firmly to activate.
2. Tape or place the filter change indicator on the system housing or in a noticeable location, such as your refrigerator door.
3. Do not place filter change indicator in refrigerator.

*Push to activate
Solid line will appear
and begin to fill within
a couple of minutes*



*6 months
Replace the filter*

LIMITED WARRANTY:

3M warrants this Product will be free from defects in material and manufacture for one (1) year from the date of purchase. This warranty does not cover failures resulting from abuse, misuse, alteration or damage not caused by 3M or failure to follow installation and use instructions. No warranty is given as to the service life of any filter cartridge or membrane as it will vary with local water conditions and water consumption. 3M MAKES NO OTHER WARRANTIES OR CONDITIONS, EXPRESS OR IMPLIED, INCLUDING, BUT NOT LIMITED TO, ANY IMPLIED WARRANTY OR CONDITION OF MERCHANTABILITY OR FITNESS FOR A PARTICULAR PURPOSE OR ANY IMPLIED WARRANTY OR CONDITION ARISING OUT OF A COURSE OF DEALING, CUSTOMER OR USAGE OF TRADE. If the Product fails to satisfy this Limited Warranty during the warranty period, 3M will replace the Product or refund your Product purchase price. This warranty does not cover labor. The remedy stated in this paragraph is Customer's sole remedy and 3M's exclusive obligation.

This warranty gives you specific legal rights, and you may have other rights which may vary from state to state, or country to country. For any warranty questions, please call 1-800-388-3458 or mail your request to: Warranty Claims, 3M, Customer Care Center, 3M Center 225-3S-06, St. Paul, MN 55144-1000. Proof of purchase (original sales receipt) must accompany the warranty claim, along with a complete description of the Product, model number and alleged defect.

LIMITATION OF LIABILITY:

3M will not be liable for any loss or damage arising from this 3M Product, whether direct, indirect, special, incidental, or consequential, regardless of the legal theory asserted, including warranty, contract, negligence or strict liability. Some states and countries do not allow the exclusion of limitation of incidental or consequential damages, so the above limitation or exclusion may not apply to you.

Mail Product Registration Form to:

3M, Customer Care Center
3M Center 225-3S-06
St. Paul, MN 55144-1000

PRODUCT REGISTRATION FORM

Product Name:	Model:	Date Code:
Dr. <input type="checkbox"/> Mr. <input type="checkbox"/> Ms. <input type="checkbox"/> Mrs. <input type="checkbox"/> Miss <input type="checkbox"/>		
First Name _____	Last Name _____	
Street Address _____	Apt. # _____	
City _____	State _____	Zip Code _____
Email Address* _____		
Phone Number _____		
Date of Purchase _____		

*Submitting your email address is optional. This information will be used only to provide you with information about 3M products and in accordance with 3M's privacy policy found at www.3M.com/privacy.

© 2016, 3M Company. All rights reserved.
3M and Filtrete are trademarks of 3M Company.
NSF is a trademark of NSF International.

3M, Construction and Home Improvement Markets Division
3M Center, St. Paul, MN 55144-1000
1-800-388-3458

3M

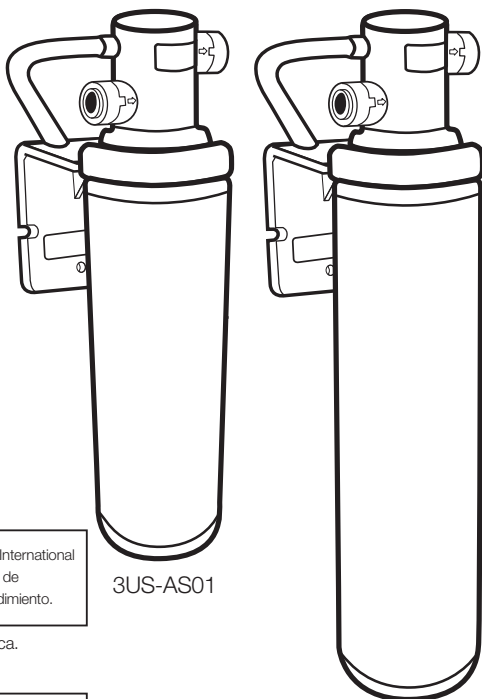
Filtrete™

Guía de uso y cuidado para

Sistemas de Filtrado de agua Estándar, Avanzados y Máximos Filtrete™ para bajo fregaderos

3US-AS01, 3US-PS01 y 3US-MAX-S01

Propietario: Por favor consérvelo para leer las instrucciones de funcionamiento y el futuro mantenimiento.



3US-AS01

NSF

Sistema 3US-AS01 probado y certificado por NSF International contra la norma 42 de NSF/ANSI para la reducción de reclamos especificados en la Hoja de datos de rendimiento.

3US-AS01

Este es un filtro de reducción química y mecánica.

3US-PS01

NSF

Sistema 3US-PS01 probado y certificado por NSF International contra las normas 42 y 53 de NSF/ANSI para la reducción de reclamos especificados en la Hoja de datos de rendimiento.

3US-PS01
3US-MAX-S01

Este es un filtro de reducción química y mecánica.

3US-MAX-S01

NSF

Sistema 3US-MAX-S01 probado y certificado por NSF International contra las normas 42 y 53 de NSF/ANSI para la reducción de reclamos especificados en la Hoja de datos de rendimiento.

Este es un filtro de reducción química y mecánica.

INFORMACIÓN DE SEGURIDAD

Lea, comprenda y tenga en cuenta toda la información sobre seguridad que contienen estas instrucciones antes de instalar y utilizar los sistemas de filtrado de agua Filtrete™ estándar y avanzados para bajo fregaderos. Conserve estas instrucciones como referencia futura.

Uso específico: Los sistemas de filtrado de agua Filtrete™ estándar y avanzados para bajo fregaderos (3US-AS01, 3US-PS01 y 3US-MAX-S01) están diseñados para usar en el filtrado de agua potable y no han sido evaluados para otros usos. El producto se deberá instalar en el lugar de uso y como lo indican las instrucciones de instalación.

EXPLICACIÓN DE LAS CONSECUENCIAS DE LOS MENSAJES DE ADVERTENCIA

⚠ ADVERTENCIA Indica una situación potencialmente peligrosa, la cual, si no se evitara, podría resultar en muerte o lesiones graves y/o daño a la propiedad.

AVISO Indica una situación potencialmente peligrosa, la cual, si no se evitara, podría resultar en daño a la propiedad.

⚠ ADVERTENCIA

Lea la Guía de uso y cuidado en su totalidad. El incumplimiento de cualquier guía y medida puede causar lesiones o daños a la propiedad.

- Consulte los códigos de plomería en el departamento local de obras públicas. Debe seguir las pautas que le provean al instalar el sistema de filtrado de agua.
- Su sistema de filtrado de agua resistirá una presión de agua de hasta 862 kPa. Si la presión de suministro de agua de su casa es mayor a 80 psi, instale una válvula reductora de presión antes de instalar el sistema de filtrado de agua.

Para reducir el riesgo asociado con asfixia:

- NO permita que niños menores de 3 años de edad tengan acceso a las piezas pequeñas durante la instalación de este producto.

Para reducir el riesgo asociado con la ingesta de contaminantes:

- NO use la unidad con agua microbiológicamente no apta para el consumo o de calidad desconocida sin una adecuada desinfección previa o posterior al sistema.

Para reducir el riesgo asociado con voltajes peligrosos que se presenten por taladrar cableado eléctrico o tuberías de agua existentes en el área de la instalación:

- NO instale el producto cerca de cableado eléctrico o de tuberías que pudieran estar en el camino del taladro al seleccionar la posición de montaje del soporte del filtro.

AVISO

Para reducir el riesgo asociado con los daños materiales debidos a pérdidas de agua o inundación:

- Lea y siga la Guía de uso y cuidados antes de instalar y usar este sistema.
- Utilice tuberías flexibles compatibles con las "tuberías de inserción a presión" (como las tuberías PEX, PE o PP).
- NO lo instale con tuberías rígidas (como tuberías de cobre, aluminio, acero inoxidable, enchapadas en cromo o anodizadas).
- Reemplace el cartucho del filtro desechable según los intervalos recomendados; el cartucho del filtro descartable se DEBERÁ reemplazar cada 6 meses o antes.
- Si no reemplaza el cartucho de filtro desechable según los intervalos recomendados, puede disminuir el rendimiento del filtro y provocar fallas en el filtro, causando daños a la propiedad por pérdidas de agua o inundación.
- La instalación y el uso DEBEN cumplir con todos los códigos de plomería locales y estatales.
- Proteja del congelamiento, retire el cartucho del filtro cuando se espera que la temperatura caiga por debajo de 33 °F (4,4 °C).
- NO instale sistemas en áreas donde las temperaturas ambiente puedan superar los 110 °F (43,3 °C).
- NO instale en líneas de suministro de agua caliente. La máxima temperatura del agua en funcionamiento para este sistema de filtro es de 100 °F (37,8 °C).
- NO instale si la presión del agua supera los 862 kPa. Si la presión de agua es mayor a 552 kPa, debe instalar una válvula limitadora de presión. Contacte a un plomero profesional si no está seguro de cómo verificar la presión del agua.
- NO instale donde podría haber condiciones de golpes con un ariete. Si existen tales condiciones, debe instalar un supresor de golpes de ariete. Contacte a un plomero profesional si no está seguro de cómo verificar esta condición.

- Si hay un dispositivo de prevención de retorno instalado en un sistema de agua, se DEBE instalar un dispositivo controlador de presión debida a la expansión térmica. Comuníquese con un plomero profesional si no está seguro de cómo seleccionar instalar/realizar el mantenimiento del dispositivo de expansión térmica.
- Cuando haya una bomba elevadora de presión en un sistema de agua, DEBE mantener e inspeccionar regularmente el interruptor de presión adjunto de conformidad con las instrucciones del fabricante de la bomba elevadora de presión. Comuníquese con un plomero profesional si no está seguro de cómo realizar el mantenimiento del sistema de bomba elevadora de presión.
- Cuando haya una bomba elevadora de presión instalada en un sistema de agua, DEBE instalar una válvula de alivio de presión adecuada. La válvula de alivio de presión debe mantenerse e inspeccionarse cada 6 meses. Comuníquese con un plomero profesional si no está seguro de cómo seleccionar/instalar/realizar el mantenimiento de la válvula de alivio de presión.
- Cuando haya una bomba elevadora de presión instalada en un sistema de agua, DEBE instalar una válvula reguladora de presión adecuada y regular la presión de agua a <80 psi. Comuníquese con un plomero profesional si no está seguro de cómo seleccionar/instalar/realizar el mantenimiento de la válvula reguladora de presión.
- NO instale bajo luz solar directa ni en exteriores.
- NO instale el producto cerca de tuberías de agua que pudieran estar en el camino de un taladro al seleccionar la posición de montaje del soporte.
- Monte el filtro en una posición tal que prevenga que se atasque con otros elementos usados en el área de instalación.
- Asegúrese de que la ubicación y las sujeciones puedan soportar el peso del sistema cuando esté instalado y lleno de agua.
- Asegúrese de que todas las tuberías y accesorios están seguros y de que no haya pérdidas.
- Asegúrese de que la ubicación y los sujetadores puedan soportar el peso del sistema cuando esté instalado y lleno de agua.
- No instale la unidad si falta un collar de conexión rápida. Póngase en contacto con 3M Company si faltan collares de algunas conexiones.

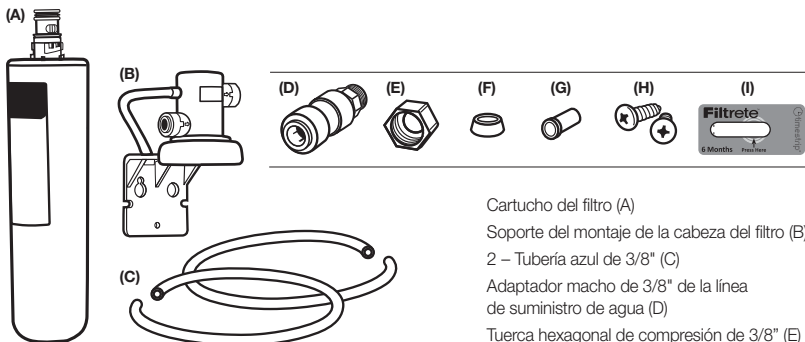
Para reducir el riesgo de pérdida de agua o inundación, y para garantizar un rendimiento óptimo del filtro:

- Cambie el cartucho de filtro desechable cada seis meses o antes si observa una reducción considerable del caudal de agua.

NOTAS IMPORTANTES

- El incidente de seguir instrucciones anulará la garantía.
- Deje un espacio libre mínimo de 6 cm. debajo del filtro para facilitar el cambio de los cartuchos.
- Instale el producto con los orificios de admisión y de salida según la etiqueta. Asegúrese de no invertir las conexiones.

PIEZAS Y MATERIALES: (Incluidos)

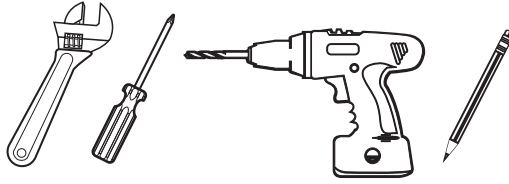


NOTA: El tubo blanco del soporte del montaje de la cabeza del filtro (B) es un accesorio para aliviar la presión. El agua NO saldrá de este tubo.

- Cartucho del filtro (A)
- Soporte del montaje de la cabeza del filtro (B)
- 2 – Tubería azul de 3/8" (C)
- Adaptador macho de 3/8" de la línea de suministro de agua (D)
- Tuerca hexagonal de compresión de 3/8" (E)
- Férula de 3/8" (F)
- Inserto de tubo de 3/8" (G)
- 2 – Tornillos de montaje N° 2 (H)
- Tira de tiempo (I)

HERRAMIENTAS NECESARIAS: (No incluidas)

Llave inglesa
Destornillador Phillips N° 2
Taladro
lápiz

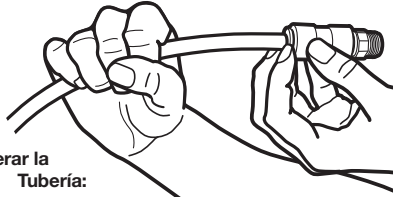


ANTES DE COMENZAR:

Retire los artículos almacenados debajo del fregadero.
Tenga a mano un recipiente y una toalla en caso de existir goteos.

Este sistema utiliza conexiones a presión:

Este sistema de fácil instalación utiliza conexiones a presión, herméticas.



Para Anexar la Tubería: (Fig. 1)

Empuje la tubería hasta su límite. La tubería debe insertarse pasando la junta tórica y llegando el tope de detención. Tire del tubo para comprobar que está seguro.

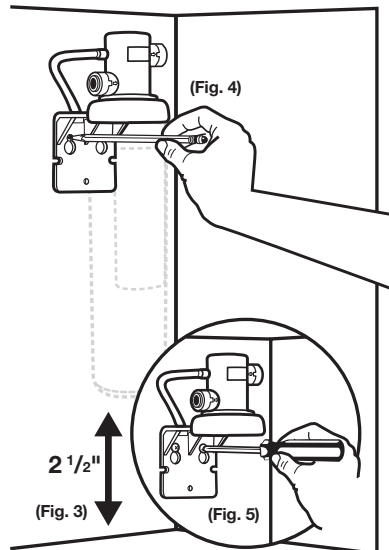
Para Liberar la Tubería: (Fig. 2)

Empuje el portapiezas gris para liberar la tubería. Sosteniendo el portapiezas, extraiga la tubería.

PARA INSTALAR EL SOPORTE DEL MONTAJE DE LA CABEZA DEL FILTRO:

Necesitará: Destornillador Phillips, taladro, lápiz, soporte del montaje de la cabeza del filtro (B), tornillos de montaje N° 2 (H)

1. Elija un lugar para instalar el soporte del montaje de la cabeza del filtro (B). Tenga presente: El soporte debe estar ubicado de manera tal que permita un fácil acceso para el cambio de filtros. Deje un espacio libre de 2 1/2" debajo del cartucho del filtro instalado. (Consulte la Fig. 3)
2. Utilizando el soporte (B) como guía, marque en la pared con un lápiz el lugar donde se realizarán los dos orificios de los tornillos. (Fig. 4)
3. Ajuste el soporte a la pared utilizando un destornillador Phillips y los dos tornillos de montaje incluidos (H). (Si lo prefiere, utilice un taladro con una broca de tamaño 3/16" para realizar los orificios guía para los tornillos.) (Fig. 5)
4. Compruebe que el soporte de montaje esté instalado firmemente.

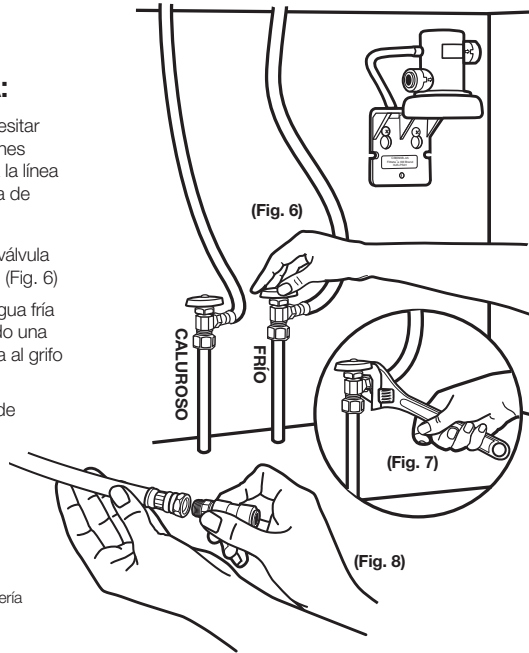


ANEXE EL ADAPTADOR DE LA LÍNEA DE SUMINISTRO DEL AGUA:

Necesitará: Llave inglesa (Nota: Puede necesitar dos llaves inglesas para ajustar las conexiones adecuadamente al conectar el adaptador a la línea de suministro), adaptador macho de la línea de suministro de agua (D)

1. Cierre el suministro de agua fría con la válvula de cierre ubicada debajo del fregadero. (Fig. 6)
2. Desconecte la manguera del grifo de agua fría de la válvula de cierre de abajo utilizando una llave inglesa. Deje la manguera anexada al grifo de arriba. (Fig. 7)
3. Instale el adaptador macho de la línea de suministro de agua (D) colocando el lado para el grifo en el extremo de la manguera del grifo. Nota: La conexión tiene un lado para el grifo y un lado a presión. (Fig. 8)

Nota: Si el adaptador de la línea de suministro de agua (D) NO se conectara apropiadamente al extremo de la manguera de su grifo, visite su ferretería local para comprar el tamaño correcto.



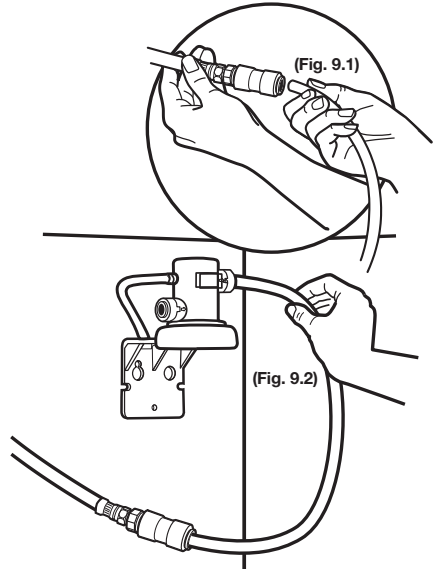
ANEXE LA MANGUERA DEL SUMINISTRO DE ENTRADA DEL AGUA:

Necesitará: 1 segmento de tubería azul de 3/8" (C).

1. Inserte un extremo de uno de los segmentos de la tubería azul de 3/8" (C) al lateral de la conexión a presión del adaptador macho de la línea de suministro de agua (D) que recién instaló. Empuje la tubería hasta el límite para lograr una conexión hermética. (Fig. 9.1)

Advertencia: Si no se empuja el tubo completamente, pueden existir fugas de agua. (Consulte la explicación de las "conexiones a presión" de la Pág. 11.)

2. Tome el otro extremo de la misma tubería azul de 3/8" (C) e insértelo en el lateral derecho (salida) del soporte de montaje (B). Las flechas del soporte quedarán apuntando alejadas o hacia afuera del soporte.



ENSAMBLE EL KIT DE COMPRESIÓN / ANEXE LA MANGUERA DEL SUMINISTRO DE SALIDA DEL AGUA:

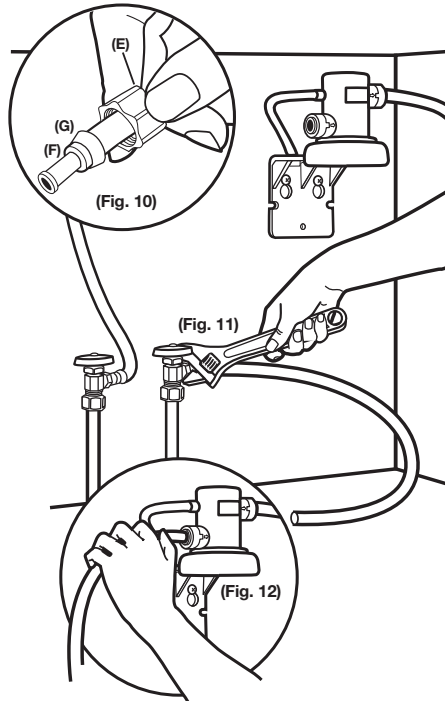
AVISO: NO lo instale en las líneas de alimentación de agua caliente. La temperatura máxima de operación del agua para este sistema de filtro es 100 °F (37,8 °C).

Necesitará: Llave inglesa, tuerca hexagonal de compresión (E), férula de 3/8" (G), Inserto de tubo de 3/8" (F), 1 segmento de tubería azul de 3/8" (C).

1. Ensamble el kit de compresión. (Fig. 10)

Coloque la tuerca hexagonal de compresión (E) (con el lado roscado hacia abajo) y la férula de 3/8" (G) (con el extremo cónico hacia abajo) al segundo segmento de la tubería azul (C). Introduzca el inserto de tubo de 3/8" (F) al extremo de la tubería azul (C).

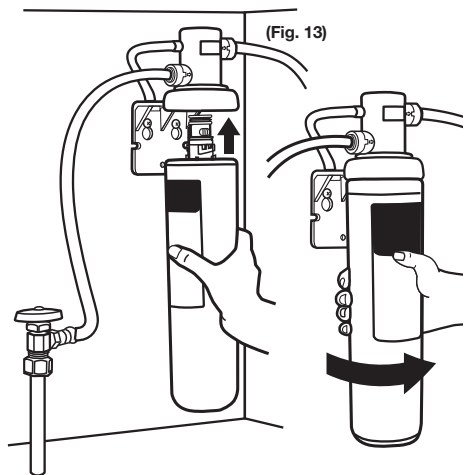
2. Ajuste con la llave inglesa para anexas firmemente el kit de compresión a la válvula de cierre de 3/8" del suministro de agua fría. (Fig. 11) Tire de la tubería azul para asegurarse de haber logrado una conexión ajustada.
3. Empuje el otro extremo de la misma tubería azul (C) adentro del lateral izquierdo (entrada) del soporte (B). Las flechas del soporte quedarán apuntando hacia o adentro del soporte. (Fig. 12)



ANEXE EL FILTRO:

Necesitará: Cartucho del filtro (A)

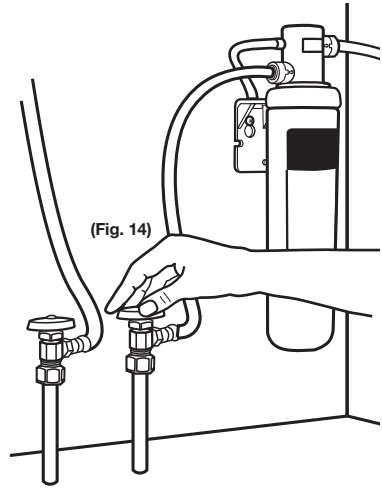
1. Inserte el cartucho del filtro (A) adentro del soporte (B).
2. Empuje el filtro hacia arriba, luego gírelo un cuarto hacia la derecha hasta que se detenga. (Fig. 13)
3. NO existen brechas entre el soporte (B) y el cartucho del filtro (A) cuando los mismos están anexados correctamente.



ABRA EL AGUA:

1. Vuelva a abrir el agua en la válvula de cierre del agua fría. (Fig. 14)
2. Deje correr el agua hasta que purgue 37,85 litros (10 galones) a través del sistema antes de utilizar. (Aproximadamente de 5 a 7 minutos.)
3. Compruebe que no existan fugas de agua. Si hubiese goteos o fugas, cierre el suministro del agua fría, ajuste las conexiones y asegúrese de que la tubería se encuentre calzada completamente en las conexiones.

AHORA SU SISTEMA ESTÁ LISTO PARA USAR.



INSTRUCCIONES PARA EL REEMPLAZO DEL CARTUCHO DEL FILTRO:

AVISO: Para reducir el riesgo asociado con los daños a la propiedad provocados por fugas de agua o inundaciones, cambie el filtro desechable cada seis meses o antes.

NOTA: Usted NO necesita cerrar el suministro de agua al cambiar el cartucho de su filtro. El sistema cerrará automáticamente el suministro de agua mientras que esté cambiando su filtro.

PARA REEMPLAZAR LOS FILTROS

1. Tome el cartucho y gírelo hacia la izquierda de manera dinámica hasta que el cartucho no gire más. (Gírelo rápidamente para evitar una descarga de presión que pueda ocasionar fugas.)
2. Con cuidado tire el cartucho hacia abajo para su extracción.
3. Alinee las lengüetas del cartucho nuevo del filtro con el soporte de montaje e inserte el cartucho nuevo del filtro en el soporte. (Fig. 15) Gire el cartucho hacia la derecha hasta que se detenga.
4. Deje correr el agua hasta que purgue 37,85 litros (10 galones) a través del sistema antes de utilizar. (Aproximadamente de 5 a 7 minutos.)

GUÍA DE SOLUCIÓN DE PROBLEMAS

Fugas de Agua en las Conexiones a Presión:

Empuje la tubería hasta su límite. Si la fuga de agua continúa, cierre el agua con la válvula de cierre y extraiga la línea de agua empujando el portapiezas del conector a la vez que extrae la tubería. Inspeccione la tubería para verificar que no existan grietas ni rayones. Si la tubería llegara a estar agrietada o rayada, simplemente corte esa porción y reinserte la tubería en la conexión a presión.

No Fluye el Agua del Grifo del Sistema de Agua Potable:

Compruebe que la válvula de la línea de agua principal esté abierta, para dejar que el agua fluya hacia el filtro.

El Agua Parece Turbia o Sale Aire del Grifo del Sistema de Agua Potable:

Purgue el filtro durante cinco (5) minutos completos para extraer todas las partículas finas de carbón o aire atrapado en el filtro y en las líneas de agua.

Para obtener mayor información o realizar preguntas

Llamada 800-388-3458

Active el indicador de cambio del filtro



ADVERTENCIA

Para reducir el riesgo asociado con asfixia, no permita que los niños menores de 3 años tengan acceso al indicador de cambio del filtro.

PRECAUCIÓN

Para reducir el riesgo de daños a la propiedad, no perforo la burbuja indicadora de cambio del filtro. El fluido (no tóxico) puede manchar ciertos materiales.

1. Presione firmemente la burbuja indicadora de cambio del filtro para activarla.
2. Coloque o pegue con cinta adhesiva el indicador de cambio del filtro en la carcasa del sistema o en una ubicación notable, tal como la puerta de su refrigerador.
3. No coloque el indicador de cambio del filtro adentro de su refrigerador.

*Presione para activar
Una línea sólida aparecerá
y se comenzará a llenar
dentro de un par de minutos*



6 meses
Reemplace el filtro

GARANTÍA LIMITADA:

3M garantiza que este producto estará libre de defectos en materiales y manufactura por un (1) año a partir de la fecha de compra. Esta garantía no cubre fallas resultantes del abuso, mal uso, alteraciones o daños no realizados por 3M o por no seguir las instrucciones de uso e instalación. No se otorgan garantías respecto a la vida útil de ningún cartucho/repuesto de filtro ni sus membranas, ya que éstas pueden variar según las condiciones locales del agua y la cantidad de agua consumida. 3M NO OTORGA NINGUNA OTRA GARANTÍA O CONDICIÓN, EXPRESA O IMPLÍCITA, INCLUYENDO, PERO NO LIMITADA A CUALQUIER GARANTÍA IMPLÍCITA O CONDICIÓN DE COMERCIALIZACIÓN O IDONEIDAD PARA UN PROPÓSITO PARTICULAR O CUALQUIER GARANTÍA IMPLÍCITA O CONDICIÓN EMERGENTE DE UN CURSO DE GESTIÓN, DEL CLIENTE O USO DE COMERCIO. Si el producto no satisface esta garantía limitada durante el periodo de garantía, 3M reemplazará el producto o reembolsará el precio de compra del producto. Esta garantía no cubre el costo de mano de obra. El remedio declarado en este párrafo es el remedio único para el consumidor y la obligación exclusiva de 3M.

Esta garantía le otorga derechos legales específicos y usted puede tener otros derechos que varían de estado a estado o de país a país. Para cualquier pregunta relacionada con la garantía, por favor llame al 1-800-388-3458 o envíe su solicitud a: Warranty Claims, 3M, Customer Care Center, 3M Center, 225-3S-06, St. Paul MN 55144-1000. El comprobante de compra (recibo original de compra) debe acompañar la solicitud de garantía, junto con una descripción completa del producto, el número de modelo y el defecto presunto.

LIMITACIÓN DE RESPONSABILIDAD:

3M no será responsable de ninguna pérdida o daños resultantes de este producto 3M, ya sean directos, indirectos, especiales, incidentales o consecuentes, independientemente de la teoría legal afirmada, incluyendo responsabilidad de garantía, contractual, negligente o estricta. Algunos estados o países no permiten la exclusión de la limitación de daños incidentales o consecuentes, así que la limitación anterior podría no aplicar a usted.

Envíe el formulario de registro del producto a:

3M, Customer Care Center
3M Center 225-3S-06
St. Paul, MN 55144-1000

FORMULARIO DE REGISTRO DEL PRODUCTO

Nombre del producto:

Modelo:

Código de fecha:

Dr. Sr. Sra. Srta.

Nombre _____ Apellido _____

Dirección _____ Apto. _____

Ciudad _____ Estado _____ Código Postal _____

Dirección de e-mail* _____

Número telefónico _____

Fecha de compra _____

*Proporcionar su dirección de e-mail es opcional. Esta información será utilizada únicamente para proveerle información acerca de los productos de 3M, de acuerdo con la política de privacidad de 3M que se encuentra en www.3m.com/privacy

© 2016, 3M. Todos los derechos reservados.

Filtrete y 3M son marcas comerciales de 3M Company.

NSF es una marca comercial de NSF International.

División de Mercados de la Construcción y Mejoras del Hogar
3M Center, St. Paul, MN 55144-1000
1-800-388-3458

3M