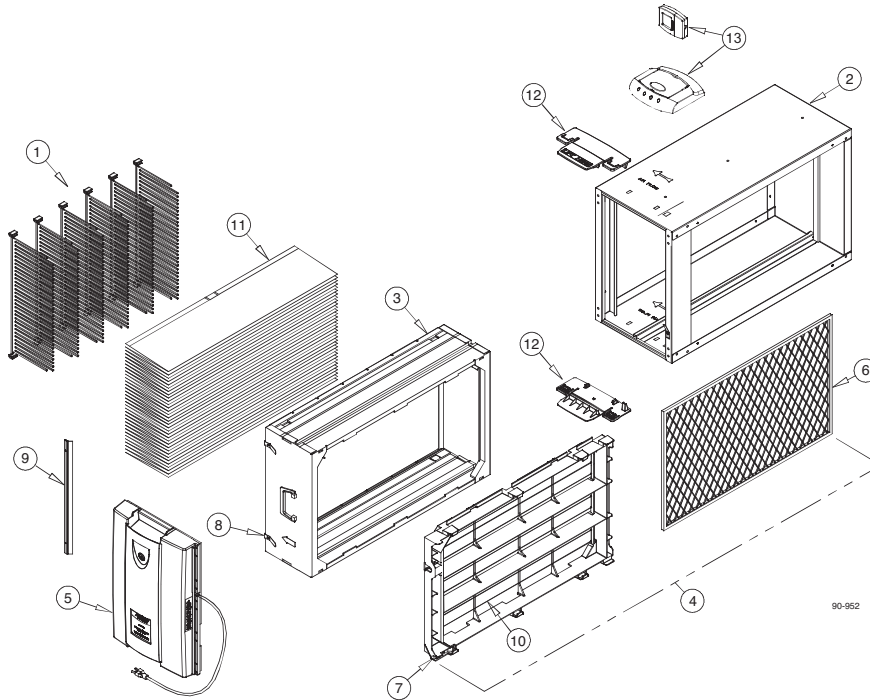


Air Cleaners Dealer Parts List

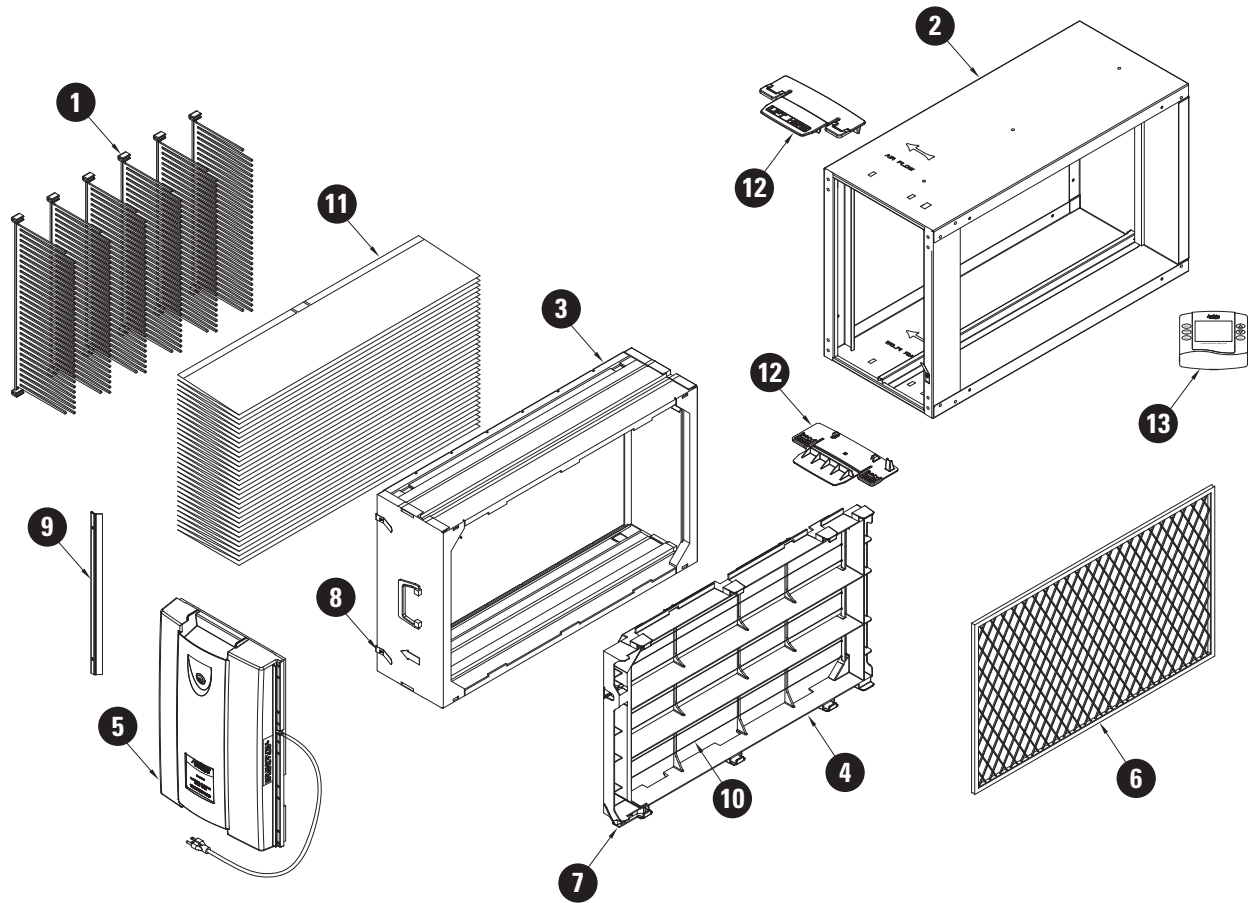
Aprilaire® Model 5000 Air Cleaner



NO.	PART NAME	Release Date May 2005		Release Date Prior May 2005	
		QTY/CTN	PART NO.	QTY/CTN	PART NO.
1	Pleat Spacer	6	4270	6	4270
2	Outer Housing - Almond	1	4597	1	4307
2	Outer Housing - Gray	1	4826	N/A	N/A
3	Inner Housing with Seals (Includes 6 Pleat Spacers)	1	4308	1	4308
4	Ionizer Frame Assembly (Includes 9 (4602) ionizing wires, 1 (4311) control electrode and 1 (4599) ground contact)	1	4598	1	4598
5	Power Pack/Door Assembly (Almond is obsolete, only available in Gray)	Obsolete*		1	4310
5	PowerPack/Door Assembly - Gray (Release Date July 2008)	1	4827	N/A	N/A
6	Control Electrode	1	4311	1	4311
7	Ground Contact	1	4599	1	4599
8	Media Ground Contact	2	4313	2	4313
9	Media Ground Assembly	1	4314	1	4314
10	Ionizer Wire - used with Almond Ionizing Frame	3	4602	N/A	N/A
10	Ionizer Wire - used with Gray Ionizing Frame	N/A	N/A	3	4315
11	Media (Individually Packaged)	10	501	10	501
12	Door Latch Replacement Kit	1	5268	1	4600
13	Air Cleaner Control & LED Base	1	4838	N/A	N/A
OTHER PARTS					
	Seal Kit	1	4704	1	4704

*Replaced by Part No. 4827

Aprilaire® Model 5000 Air Cleaner (After April 2014)



NO.	PART NAME	Release Date April 2014	
		QTY/CTN	PART NO.
1	Pleat Spacer	6	4270
2	Outer Housing - Almond	1	4597
2	Outer Housing - Gray	1	4826
3	Inner Housing with Seals (Includes 6 Pleat Spacers)	1	4308
4	Ionizer Frame Assembly	1	4598
5	PowerPack/Door Assembly - Gray (Release Date July 2008)	1	4827
6	Control Electrode	1	4311
7	Ground Contact	1	4599
8	Media Ground Contact	2	4313
9	Media Ground Assembly	1	4314
10	Ionizer Wire - used with Almond Ionizing Frame	3	4602
10	Ionizer Wire - used with Gray Ionizing Frame	3	4315
11	Media (Individually Packaged)	10	501
12	Door Latch Replacement Kit	1	5268
13	Universal Programmable Thermostat with Event-Based Air Cleaning	10**	8476
OTHER PARTS			
	Seal Kit	1	4704

** Sold In Carton Quantities Only